

LINDY®

CONNECTION PERFECTION

DVI-D Video Splitter

User Manual

English



No. 32446/32447/38108

www.lindy.com

CE

FCC

Tested to Comply with
FCC Standards
For Home and Office Use!

Introduction

Thank you for purchasing the LINDY DVI-D Video Splitter. This device is a high performance HDCP compliant DVI-D distribution amplifier. It allows a single DVI-D or HDMI signal source to be split to 2, 4 or 8 DVI-D/HDMI enabled displays or projectors for multi-screen presentation or home theatre use.

Depending on the length and type of cables used the DVI-D Video Splitter can support HDTV display resolutions of up to 1080p (depending on model). Should you wish to add additional displays or projectors then you simply cascade several video splitters together. To ensure maximum image quality is maintained throughout your installation then we recommend you use LINDY DVI-D/HDMI cables and adapters.

Features

- 2, 4 or 8 Port DVI-D Video Splitter
- Plug and Play installation
- Supports PC and HDTV resolutions from VGA to UXGA and 480p to 1080p
- Built-in EDID simulator and HDCP key set allows each output to operate independently
- Supports HDMI devices when using appropriate cables and adapters
- Can be cascaded up to several layers depending on maximum cable length

Specification

- Compliant with DVI revision 1.0 specification
- Supports DVI-D through standard 29-pin DVI-I female connectors
- Independent DVI DDC (Display data channel) between each output and display
- Buffered outputs allows cable lengths of up to 15 meters using standard DVI cables
- 5V DC operation (centre positive)

Operation

2 Port Version

- Supports 1.65Gbps (single link) (25 – 165MHZ)
- Supported resolutions: 480p, 720p, 1080i, 1080p, VGA, XGA, SXGA, UXGA
- Dimensions: 102(W) x 125 (D) x 30 (H)mm
- Weight: 220g

4 Port Version

- Supports 1.50Gbps (single link) (25 – 150MHZ)
- Supported resolutions: 480p, 720p, 1080i, 1080p, VGA, XGA, SXGA, UXGA
- Dimensions: 102(W) x 141 (D) x 38 (H)mm
- Weight:410g

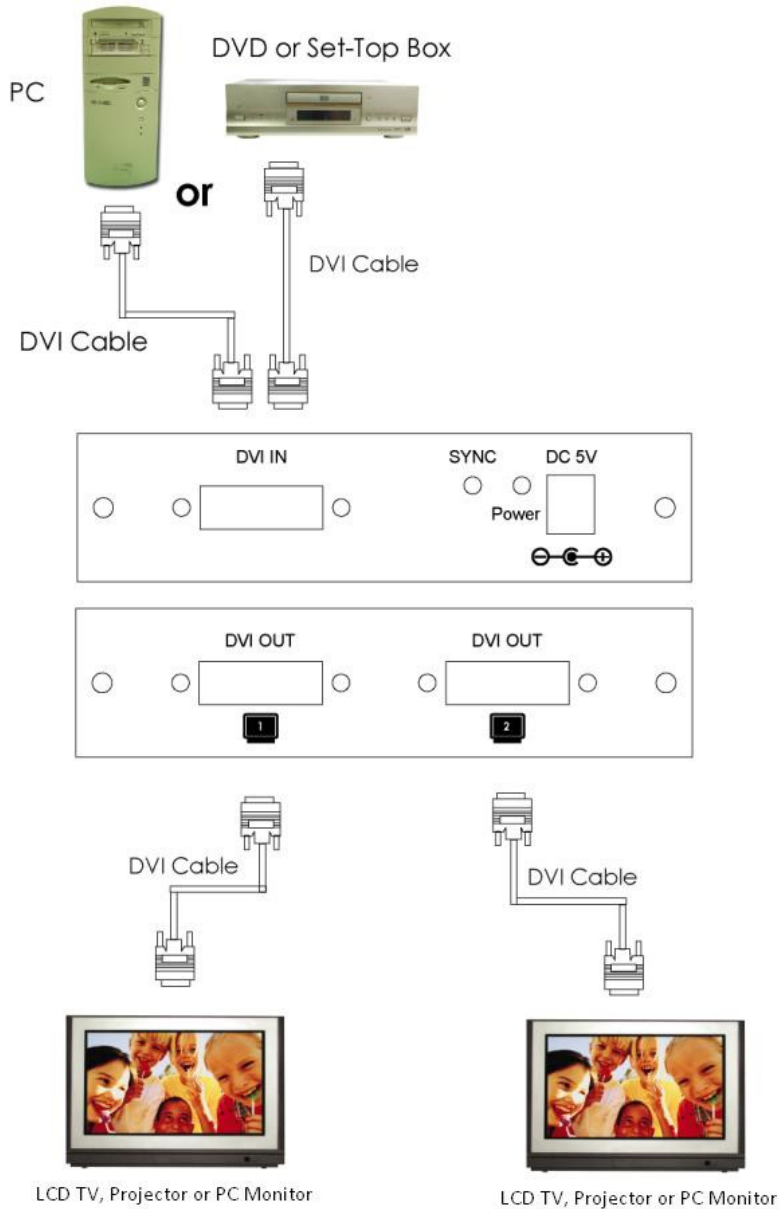
8 Port Version

- Supports 1.50Gbps (single link) (25 – 150MHZ)
 - Supported resolutions: 480p, 720p, 1080i, 1080p, VGA, XGA, SXGA, UXGA
 - Dimensions: 240 (W) x 103 (D) x 29 (H)mm
 - Weight:550g
-

Installation

The LINDY DVI-D Video Splitter is a true Plug and Play device which does not require any software or drivers to operate. Simply connect the appropriate cables from the source device, to the input on the splitter, and then connect appropriate cables from the splitter's outputs to your display monitors or projectors.

Please refer to the diagram below for a typical application using a 2 Port DVI-D splitter.



Cascading DVI-D Video Splitters

To cascade (daisy chain) multiple DVI-D Video Splitters
Connect a DVI-D/HDMI Male to DVI-D Male cable from the source device to the **Input port** on the first DVI-D splitter, then connect a DVI-D Male to DVI-D Male cable from **Output 1** (1st Splitter) to the **Input port** (2nd Splitter) and repeat for the 3rd, 4th, etc... Use appropriate cables or adapters when connecting to an HDMI enabled display or projector.

Power-Up Sequence

Ensure all equipment is turned off before connecting the DVI-D Video Splitter. Once all cables are connected, apply power to the DVI-D Video Splitter, then apply power to your display monitors or projectors, finally apply power to the source device.

Package Contents

- 2, 4 or 8 Port DVI-D Video Splitter
 - 5V DC power adapter
 - This user guide
-

CE/FCC Statement

CE Certification

This equipment complies with the requirements relating to Electromagnetic Compatibility Standards EN55022/EN55024 and the further standards cited therein. It must be used with shielded cables only. It has been manufactured under the scope of RoHS compliance.

CE Konformitätserklärung

Dieses Produkt entspricht den einschlägigen EMV Richtlinien der EU für IT-Equipment und darf nur zusammen mit abgeschirmten Kabeln verwendet werden.

Diese Geräte wurden unter Berücksichtigung der RoHS Vorgaben hergestellt.

Die formelle Konformitätserklärung können wir Ihnen auf Anforderung zur Verfügung stellen

FCC Certification

This equipment has been tested and found to comply with the limits for a Class B digital device, pursuant to part 15 of the FCC Rules. These limits are designed to provide reasonable protection against harmful interference in a residential installation.

You are cautioned that changes or modification not expressly approved by the party responsible for compliance could void your authority to operate the equipment.

This device complies with part 15 of the FCC Rules.

Operation is subject to the following two conditions:

1. This device may not cause harmful interference, and
2. This device must accept any interference received, including interference that may cause undesired operation.

LINDY Herstellergarantie – Hinweis für Kunden in Deutschland

LINDY gewährt für dieses Produkt über die gesetzliche Regelung in Deutschland hinaus eine zweijährige Herstellergarantie ab Kaufdatum. Die detaillierten Bedingungen dieser Garantie finden Sie auf der LINDY Website aufgelistet bei den AGBs.

Recycling Information



WEEE (Waste of Electrical and Electronic Equipment), Recycling of Electronic Products

Europe, United Kingdom

In 2006 the European Union introduced regulations (WEEE) for the collection and recycling of all waste electrical and electronic equipment. It is no longer allowable to simply throw away electrical and electronic equipment. Instead, these products must enter the recycling process.

Each individual EU member state has implemented the WEEE regulations into national law in slightly different ways. Please follow your national law when you want to dispose of any electrical or electronic products. More details can be obtained from your national WEEE recycling agency.

Germany / Deutschland

Die Europäische Union hat mit der WEEE Direktive Regelungen für die Verschrottung und das Recycling von Elektro- und Elektronikprodukten geschaffen. Diese wurden im Elektro- und Elektronikgerätegesetz – ElektroG in deutsches Recht umgesetzt. Dieses Gesetz verbietet das Entsorgen von entsprechenden, auch alten, Elektro- und Elektronikgeräten über die Hausmülltonne! Diese Geräte müssen den lokalen Sammelsystemen bzw. örtlichen Sammelstellen zugeführt werden! Dort werden sie kostenlos entgegen genommen. Die Kosten für den weiteren Recyclingprozess übernimmt die Gesamtheit der Gerätehersteller.

France

En 2006, l'union Européenne a introduit la nouvelle réglementation (DEEE) pour le recyclage de tout équipement électrique et électronique.

Chaque Etat membre de l' Union Européenne a mis en application la nouvelle réglementation DEEE de manières légèrement différentes. Veuillez suivre le décret d'application correspondant à l'élimination des déchets électriques ou électroniques de votre pays.

Italy

Nel 2006 l'unione europea ha introdotto regolamentazioni (WEEE) per la raccolta e il riciclo di apparecchi elettrici ed elettronici. Non è più consentito semplicemente gettare queste apparecchiature, devono essere riciclate. Ogni stato membro dell' EU ha tramutato le direttive WEEE in leggi statali in varie misure. Fare riferimento alle leggi del proprio Stato quando si dispone di un apparecchio elettrico o elettronico.

Per ulteriori dettagli fare riferimento alla direttiva WEEE sul riciclaggio del proprio Stato.

LINDY No 32446/32447/38108

2nd Edition, March 2013

www.lindy.com



Tested to Comply with
FCC Standards
For Home and Office Use!