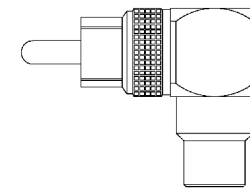
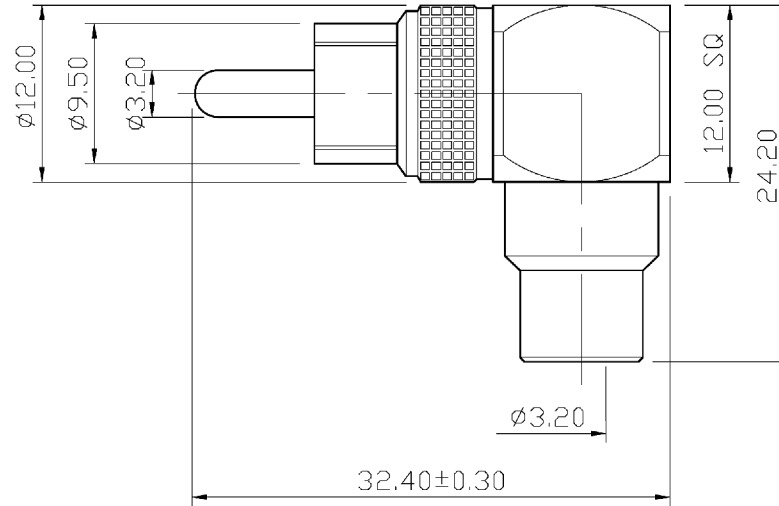
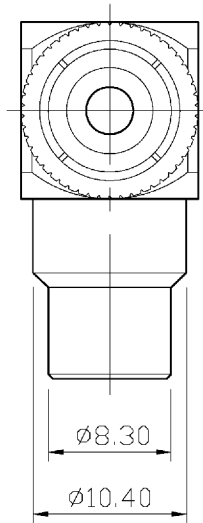


REMARK : RoHS REQUIREMENT APPLIED  
(符合RoHS)



S 1 : 1

|  |   |
|--|---|
|  | - |
|--|---|

|     |             |      |           |        |             |  |                      |                                    |  |
|-----|-------------|------|-----------|--------|-------------|--|----------------------|------------------------------------|--|
| -   | insulator   | 1    | POM       | white  |             | DIMENSIONS ARE IN<br>MILLIMETERS<br><br>UNLESS OTHERWISE PECIFIED<br>TOLERANCES<br>(一般公差)<br>0.5~6 = ±0.2<br>>6~30 = ±0.4<br>>30~120 = ±0.6<br>>120~315 = ±1<br>>315~1000 = ±1.6<br>ANGLES(角度) = ±5° | APPROVED             | VR743S<br><br>TITLE<br>RCA ADAPTOR | MATSUYAMA<br><b>MY</b> <sup>®</sup><br>ELECTRONICS |
| -   | insulator   | 1    | POM       | white  |             |  | CHECKED              |                                    |  |
| -   | contact pin | 1    | brass     | gold   |             |  | DRAWN<br><i>Lafa</i> |                                    |  |
| -   | contact pin | 1    | brass     | gold   |             |  | DATE<br>2009. 07. 23 | DRAWING NO.                        |  |
| -   | shell       | 1    | brass     | gold   |             |  |                      | FILE NO.                           |  |
| -   | body        | 1    | brass     | gold   |             |  |                      |                                    |  |
| -   | body        | 1    | brass     | gold   |             |  |                      |                                    |  |
| NO. | Description | Unit | Materials | Finish | Drawing No. |  | SCALE 2 : 1          | UNIT                               | MM   |