

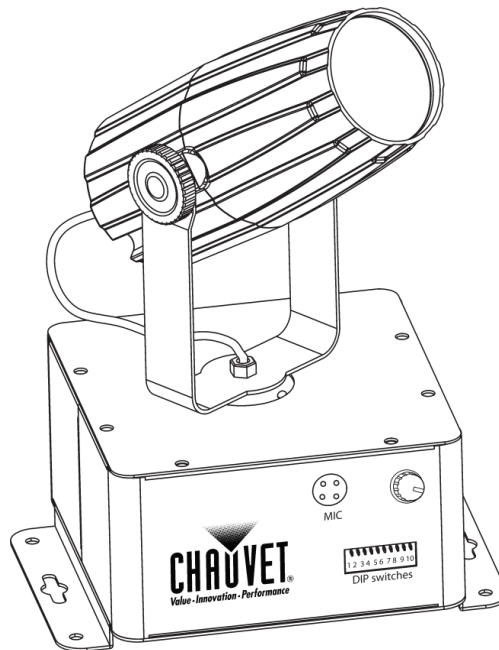
LED Pinspot 360

It's Green Thinking

Snapshot

Use on Dimmer	⊘
Outdoor Use	⊘
Sound Activated	✓
DMX	✓
Master/Slave	✓
Auto-ranging Power Supply	✓
Replaceable Fuse	✓
User Serviceable	⊘
Duty Cycle	⊘

User Manual



3000 N 29th Ct, Hollywood, FL 33020 U.S.A.
(800) 762-1084 – (954) 929-1115
FAX (954) 929-5560
www.chauvetlighting.com

TABLE OF CONTENTS

1. BEFORE YOU BEGIN	3
WHAT IS INCLUDED	3
UNPACKING INSTRUCTIONS	3
MANUAL CONVENTIONS	3
ICONS	3
SAFETY INSTRUCTIONS	4
2. INTRODUCTION	5
FEATURES	5
ADDITIONAL FEATURES	5
PRODUCT OVERVIEW	5
3. SETUP	6
AC POWER.....	6
LENS REPLACEMENT	6
FUSE REPLACEMENT	7
<i>Power Linking</i>	7
MOUNTING.....	8
<i>Orientation</i>	8
<i>Rigging</i>	8
4. OPERATING INSTRUCTIONS	9
CONFIGURING THE STARTING ADDRESS	9
DMX OPERATION.....	9
MASTER/SLAVE.....	9
STANDALONE OPERATION	10
<i>Automatic</i>	10
<i>Sound-Active</i>	10
<i>Speed Adjustments (Automatic, Sound-Active)</i>	10
<i>Fixture Linking</i>	11
DMX CHANNEL VALUES	12
5. APPENDIX	13
DMX PRIMER	13
<i>3-Pin to 5-Pin Conversion Chart</i>	13
<i>Setting up a DMX Serial Data Link</i>	13
DATA CABLING	14
<i>DMX Data Cable</i>	14
<i>Cable Connectors</i>	14
FIXTURE LINKING.....	15
<i>Setting the Starting Address</i>	15
RETURNS PROCEDURE	15
CLAIMS	15
SETTING THE STARTING ADDRESS	16
GENERAL TROUBLESHOOTING	16
CONTACT US	16
TECHNICAL SPECIFICATIONS	17

1. BEFORE YOU BEGIN

What is included

- 1 x LED Pinpoint 360
- 1 x Additional Hanging Bracket (with 2 x bolts and 2 x screws)
- 1 x Gel Pack
- 1 x Extra Lens
- 1 x Power Cable
- 1 x Warranty Card
- 1 x User Manual

Unpacking Instructions

Immediately upon receiving a fixture, carefully unpack the carton, check the contents to ensure that all parts are present, and have been received in good condition. Notify the shipper immediately and retain packing material for inspection if any parts appear damaged from shipping or the carton itself shows signs of mishandling. Save the carton and all packing materials. In the event that a fixture must be returned to the factory, it is important that the fixture be returned in the original factory box and packing.




Manual Conventions

CHAUVET® manuals use the following conventions to differentiate certain types of information from the regular text.

CONVENTION	MEANING
[10]	A DIP switch to be configured
<Menu>	A key to be pressed on the fixture's control panel
1~512	A range of values
50/60	A set of values of which only one can be chosen
Settings	A menu option not to be modified (for example, showing the operating mode/current status)
MENU > Settings	A sequence of menu options to be followed
ON	A value to be entered or selected

Icons

This manual uses the following icons to indicate information that requires special attention on the part of the user.

ICONS	MEANING
	This paragraph contains critical installation, configuration or operation information. Failure to comply with this information may render the fixture partially or completely inoperative, cause damage to the fixture or cause harm to the user.
	This paragraph contains important installation or configuration information. Failure to comply with this information may prevent the fixture from functioning correctly.
	This paragraph reminds you of useful, although not critical, information.

Safety Instructions



Please read these instructions carefully, which includes important information about the installation, usage and maintenance of this product.

- Please keep this User Manual for future consultation. If you sell the unit to another user, be sure that they also receive this instruction booklet.
- Always make sure that you are connecting to the proper voltage, and that the line voltage you are connecting to is not higher than that stated on the decal or rear panel of the fixture.
- This product is intended for indoor use only! To prevent risk of fire or shock, do not expose fixture to rain or moisture.
- Make sure there are no flammable materials close to the unit while operating.
- The unit must be installed in a location with adequate ventilation, at least 20 in (50 cm) from adjacent surfaces. Be sure that no ventilation slots are blocked.
- Always disconnect from power source before servicing or replacing fuse and be sure to replace with same fuse source.
- Secure fixture to fastening device using a safety chain.
- Maximum ambient temperature (Ta) is 104° F (40° C). Do not operate fixture at temperatures higher than this.
- In the event of a serious operating problem, stop using the unit immediately. Never try to repair the unit by yourself. Repairs carried out by unskilled people can lead to damage or malfunction. Please contact the nearest authorized technical assistance center.
- Never connect the device to a dimmer pack.
- Make sure the power cord is never crimped or damaged.
- Never disconnect the power cord by pulling or tugging on the cord.
- Never carry the fixture directly from the cord. Always use the hanging/mounting bracket.
- Avoid direct eye exposure to the light source while it is on.

2. INTRODUCTION

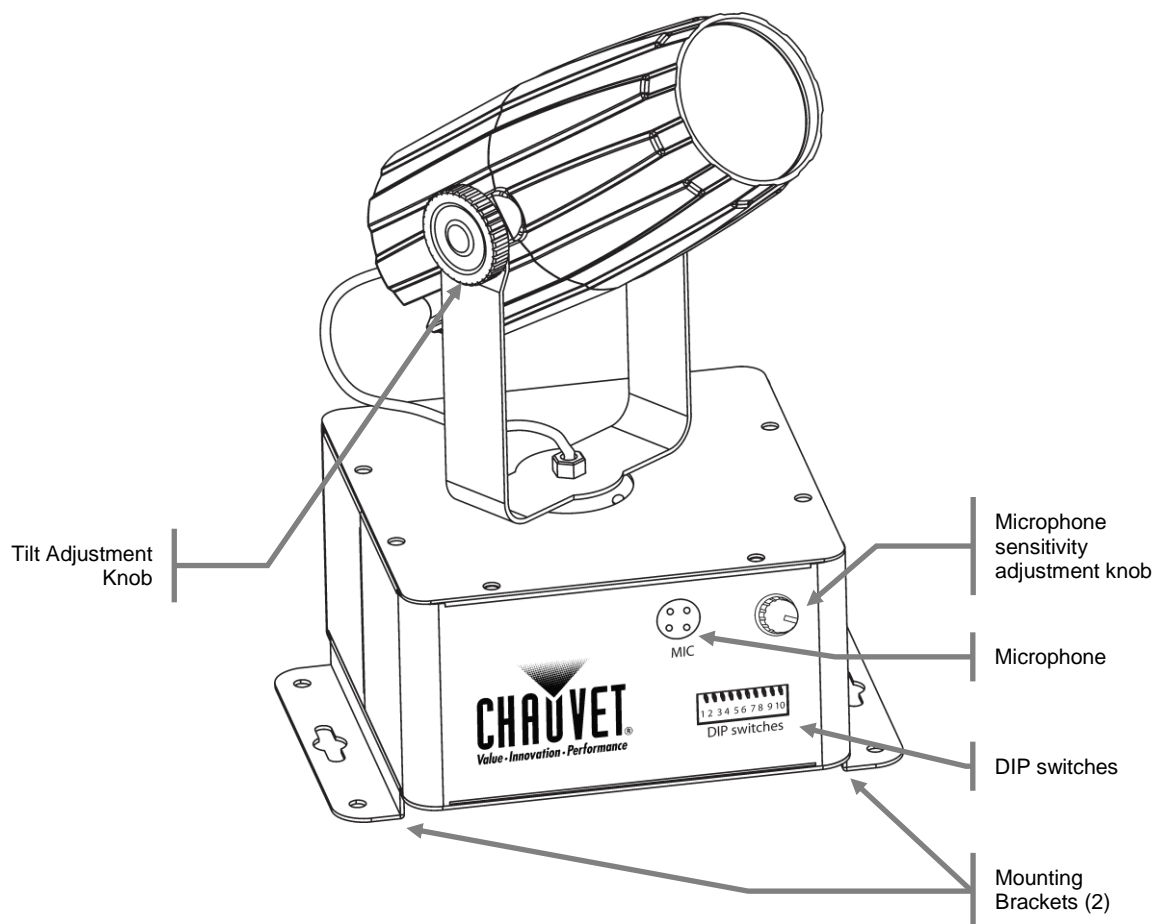
Features

- 5-channel DMX-512 rotating LED pinspot
- Pan: 540° / tilt: 330° (manual)
- Variable electronic strobe
- Variable electronic dimmer (0 – 100%)
- Vector speed channel for pan
- Built-in movement macros via DMX

Additional Features

- High-power, 3 W, 700 mA LED
- Additional power output: max 35 units
- Includes multiple lenses to change beam angles
- User-selectable pan ranges: 540°, 360°, 270°, 180°, 90°
- Built-in automated programs via master/slave with adjustable pan ranges
- Built-in sound activated programs via master/slave with adjustable pan ranges

Product Overview



3. SETUP

AC Power

This fixture runs on 100~240 VAC, 50/60 Hz. Before powering on the unit, make sure the line voltage to which you are connecting it is within the range of accepted voltages.



Always connect the fixture to a switched circuit. Never connect the fixture to a rheostat (variable resistor) or dimmer circuit, even if the rheostat or dimmer channel is used only as a 0 to 100% switch.

To determine the power requirements for a particular fixture, see the label affixed to the back plate of the fixture or refer to the fixture's specifications chart. A fixture's listed current rating indicates its average current draw under normal conditions.



Always connect the fixture to a circuit with a suitable electrical ground.

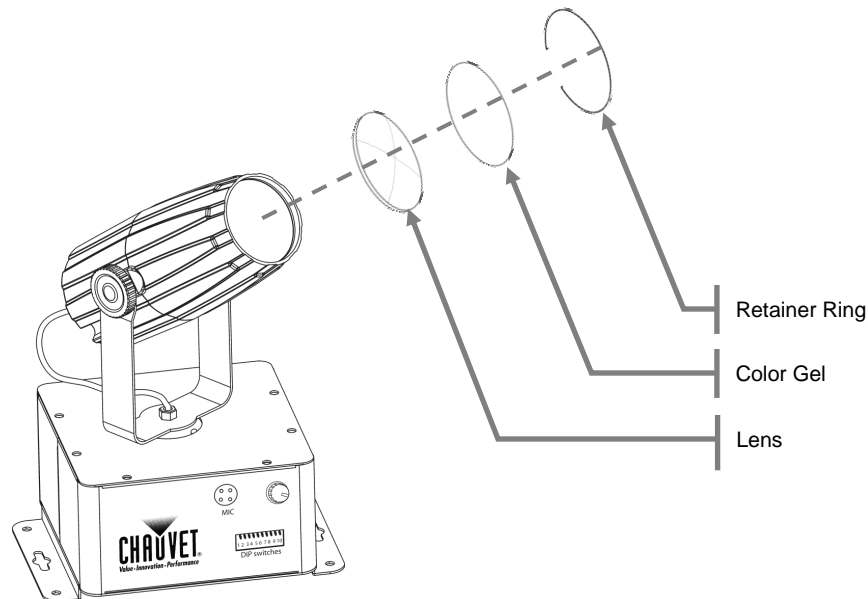
Lens Replacement

This fixture comes with an optional lens that modifies the beam angle. Please see the instructions below for instructions on replacing the lens.

1. Remove the retainer ring.
2. Remove the lens (the lens will fall out without the retainer ring installed).
3. Insert the new lens. Use caution, as it may fall out until the retainer ring is installed in step #4!
4. If installing a color gel, place this between the retainer ring and the lens.
5. Install the retainer ring.
6. Assure that the installation is tight.



If the lens is not installed properly, it may fall out. This may be a safety hazard if installed overhead.





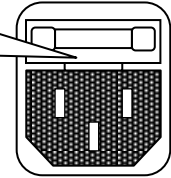
Disconnect the power cord before replacing a fuse and always replace with the same type fuse.



Fuse Replacement

1. With a flat head screwdriver wedge the fuse holder out of its housing.
2. Remove the damaged fuse from its holder and replace with exact same type fuse.
3. Insert the fuse holder back in its place and reconnect power.

The fuse is located inside this compartment.



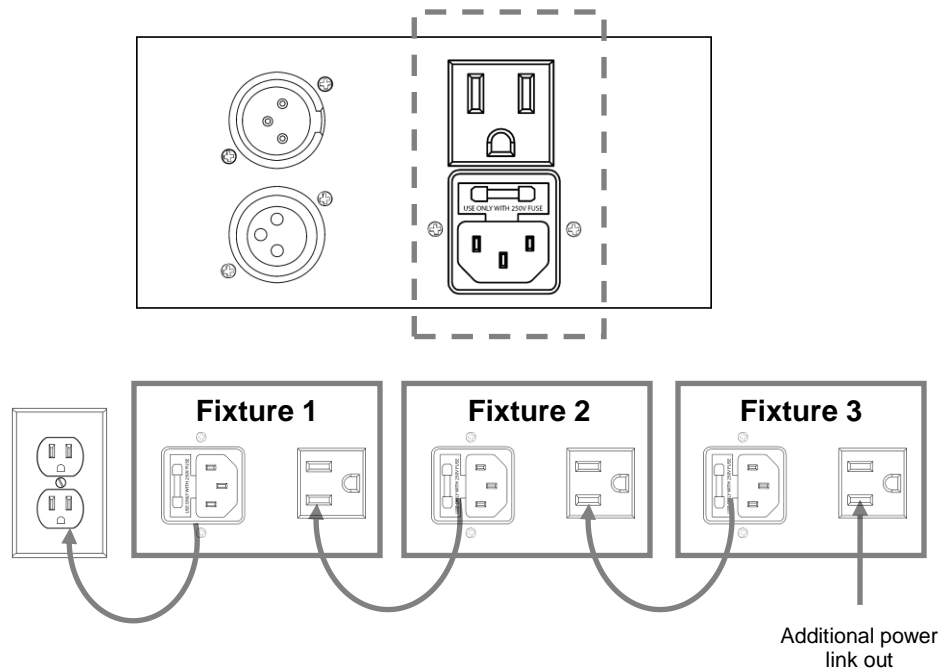
See the “*Technical Specifications*” section for the fuse size.

Power Linking

This fixture contains power linking via the edison outlet located next to the power input cable. Please see the diagram below for further explanation.



The maximum quantity of fixtures that may be linked is 35.



The power linking shown in this document is for the Chauvet® North American version ONLY! Therefore, it is the customer's responsibility to check with the Dealer/Distributor regarding power linking on the local version of the product. Connections and availability may change, depending on the power requirements and/or regulations of each country/region.

Mounting

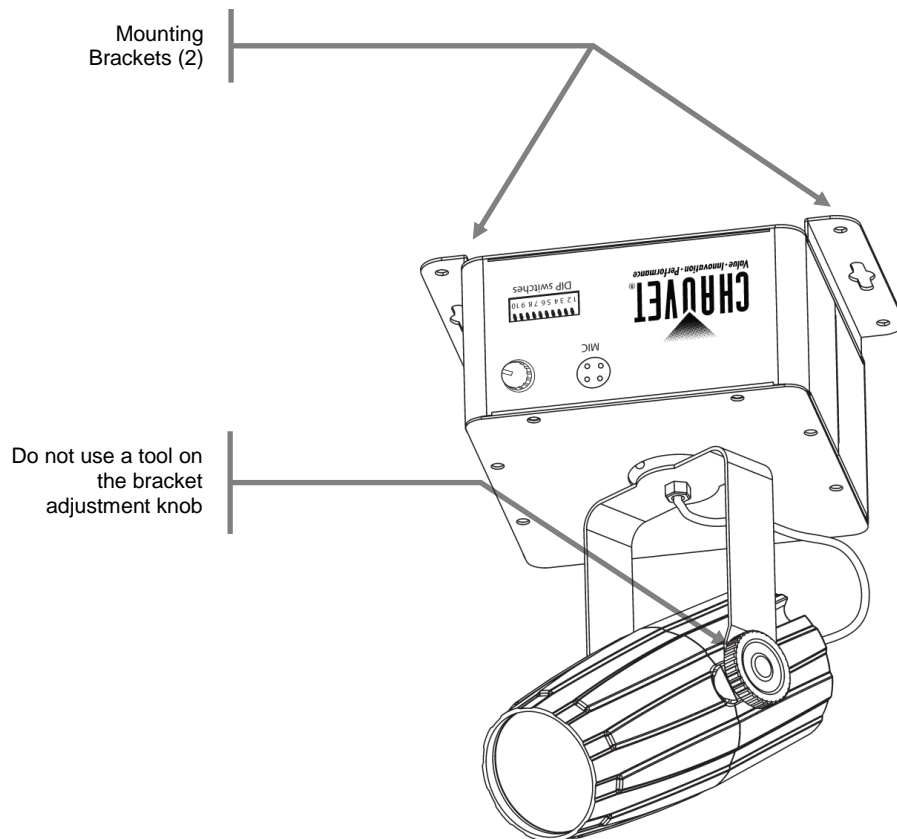
Orientation

The LED Pinspot 360 may be mounted in any safe position, provided there is adequate room for ventilation.

Rigging

Be sure that the structure can support the weight of the fixture. Please see the “Technical Specifications” section of this manual for a detailed weight listing. Mount the fixture securely. This may be done with a screw, nut and bolt, or a hanging clamp. When rigging consider routine maintenance and DIP switch access.

- If the power link out is intended to be used with multiple fixture, take into account the length of each power cable, and mount the fixtures close enough to one another to accommodate for this.
- When aiming the fixtures, you may use the bracket adjustment knob. Loosen the knob, adjust to the desired angle, and then tighten the knob by turning clockwise. Do not use tools for this step, as it may cause damage.
- Two (2) mounting positions must be used for this fixture when hanging. This must be done using both of the mounting brackets, which are shown below.
- Safety cables must always be used.



4. OPERATING INSTRUCTIONS

Configuring the Starting Address

Each fixture requires a starting address from 1~512. A fixture requiring one or more channels for control begins to read the data on the channel indicated by the starting address. For example, a fixture that uses seven DMX channels and is addressed to start on DMX channel 100, will read data from channels: 100, 101, 102, 103, 104, 105 and 106. Choose the starting addresses for each fixture so that the channels used do not overlap. In addition, you should note the starting address selected for future reference.

The LED Pinspot 360 fixture uses five DMX channels. If this is your first time using DMX, we recommend reading the "DMX Primer" section in the "Appendix".

DMX Operation

This is the operating mode which will allow for control with an external DMX controller. You must set the starting address for this mode. If this is your first time using DMX, then it is recommended that you refer to the "DMX Primer" section in the "Appendix" of this manual.

1. Set DIP switch [10] to the "ON" position.
2. Use DIP switches 1~9 to set the DMX starting address.

Master/Slave

This is the operating mode which will allow 1 fixture to act as the "master" and control all of the other "slave" fixtures. You must set both the master and the slave(s) fixtures to the correct mode for this operation.

Master Settings:

1. Set the DIP switches for this fixture by using the below Standalone settings. This automatically sets the fixture to Master.

Slave Settings:

1. Set the DIP switch [10] to the ON position.



It is not necessary to set the master fixture as the first fixture in the daisy chain. It may be any fixture in the daisy chain. For example: fixture 2, 5, 10 or 12, etc.



Only 1 fixture may be set to master.



Do not connect a DMX controller to the daisy chain for this operating mode.

Standalone Operation

Automatic

This fixture has preprogrammed auto programs. These are accessed via the DIP switches, and the movement range of the pan may be selected by choosing the appropriate DIP switches. Please see the chart below for further explanation.

DIP switch setting	Function
1, 9 ON	Auto with movement range of 90°
2, 9 ON	Auto with movement range of 180°
3, 9 ON	Auto with movement range of 270°
4, 9 ON	Auto with movement range of 360°
5, 9 ON	Auto with movement range of 540°

Sound-Active

This fixture has preprogrammed sound triggered programs. These are accessed via DIP switches, and the movement range of the pan may be selected by choosing the appropriate DIP switches. The sound sensitivity may be adjusted using the audio adjustment knob. Please see the chart below for further explanation.

DIP switch setting	Function
1 ON	Sound with movement range of 90°
2 ON	Sound with movement range of 180°
3 ON	Sound with movement range of 270°
4 ON	Sound with movement range of 360°
5 ON	Sound with movement range of 540°

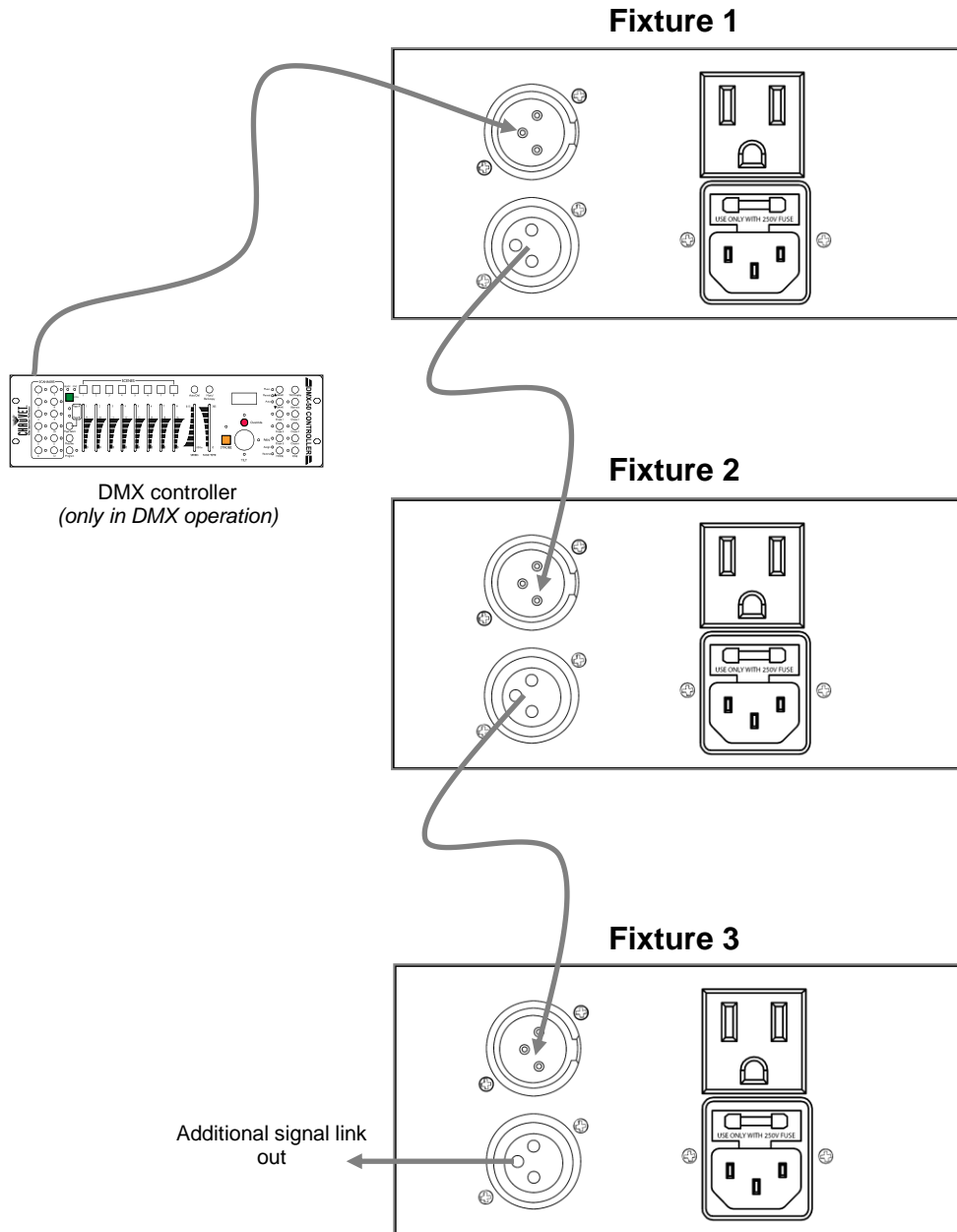
Speed Adjustments (Automatic, Sound-Active)

This fixture has preprogrammed static color presets. These are accessed via the control panel. Please see the chart below for further explanation.

DIP switch setting	Function
6 ON	Slow movement
7 ON	Medium movement
8 ON	Fast movement
6~8 ON	Combined, slowest movement
6~8 OFF	Combined, fastest movement

Fixture Linking

In order to use this fixture in a DMX or master/slave operation, you must daisy chain using DMX cables to link from one fixture to another. In a master/slave operation, the DMX controller is not connected.



DMX Channel Values

5-CH Mode

CHANNEL	VALUE	FUNCTION
1	000 ⇔ 255	Pan 0 ~ 540°
	000 ⇔ 255	Pan Speed Fast ~ Slow
3	000 ⇔ 006	Auto Programs No Function
	007 ⇔ 026	Auto 1
	027 ⇔ 046	Auto 2
	047 ⇔ 066	Auto 3
	067 ⇔ 086	Auto 4
	087 ⇔ 106	Auto 5
	107 ⇔ 126	Auto 6
	127 ⇔ 146	Auto 7
	147 ⇔ 166	Auto 8
	167 ⇔ 186	Auto 9
	187 ⇔ 206	Auto 10
	207 ⇔ 226	Auto 11
	227 ⇔ 255	Auto 12
4	000 ⇔ 008	Strobe No Function
	009 ⇔ 126	Open Pulse Effect
	127 ⇔ 191	Strobe 0% ~ 100%
	192 ⇔ 254	Close Pulse Effect
	255 ⇔ 255	No Function
5	000 ⇔ 255	Dimmer Dimmer: 0%~100%

5. APPENDIX

DMX Primer

There are 512 channels in a DMX connection. Channels may be assigned in any manner. A fixture capable of receiving DMX will require one or a number of sequential channels. The user must assign a starting address on the fixture that indicates the first channel reserved in the controller. There are many different types of DMX controllable fixtures and they all may vary in the total number of channels required. Choosing a start address should be planned in advance. Channels should never overlap. If they do, this will result in erratic operation of the fixtures whose starting address is set incorrectly. You can however, control multiple fixtures of the same type using the same starting address as long as the intended result is that of unison movement or operation. In other words, the fixtures will be slaved together and all respond exactly the same.

DMX fixtures are designed to receive data through a serial Daisy Chain. A Daisy Chain connection is where the DATA OUT of one fixture connects to the DATA IN of the next fixture. The order in which the fixtures are connected is not important and has no effect on how a controller communicates to each fixture. Use an order that provides for the easiest and most direct cabling. Connect fixtures using shielded two conductor twisted pair cable with three pin XLR male to female connectors. The shield connection is pin 1, while pin 2 is Data Negative (S-) and pin 3 is Data positive (S+).

3-Pin to 5-Pin Conversion Chart



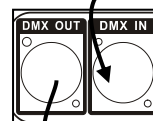
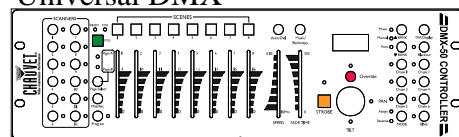
If you use a controller with a 5-pin DMX output connector, you will need to use a 5-pin to 3-pin adapter. The chart below details a proper cable conversion:

3-PIN TO 5-PIN CONVERSION CHART		
Conductor	3-Pin Female (Output)	5-Pin Male (Input)
Ground/Shield	Pin 1	Pin 1
Data (-) signal	Pin 2	Pin 2
Data (+) signal	Pin 3	Pin 3
Not used		Pin 4
Not used		Pin 5

Setting up a DMX Serial Data Link

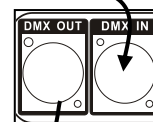
1. Connect the (male) 3-pin connector side of the DMX cable to the output (female) 3-pin connector of the controller.
2. Connect the end of the cable coming from the controller which will have a (female) 3-pin connector to the input connector of the next fixture consisting of a (male) 3-pin connector.
3. Then, proceed to connect from the output as stated above to the input of the following fixture and so on.
4. After the last fixture, connect a DMX terminator.

Universal DMX



This drawing provides a general illustration of the DMX input/output panel of a lighting fixture.

Continue the link



Data Cabling

To link fixtures together you must obtain data cables. You can purchase CHAUVET® certified DMX cables directly from a dealer/distributor or construct your own cable. If you choose to create your own cable please use data-grade cables that can carry a high quality signal and are less prone to electromagnetic interference.

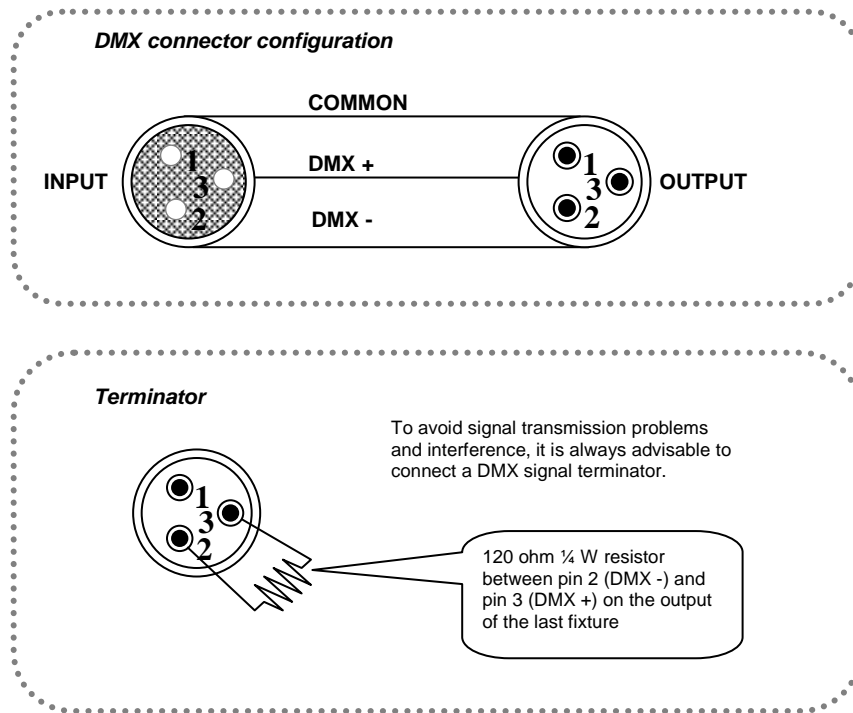
DMX Data Cable

Use a Belden® 9841 or equivalent cable which meets the specifications for EIA RS-485 applications. Standard microphone cables cannot transmit DMX data reliably over long distances. The cable must have the following characteristics:

Type:	shielded, 2-conductor twisted pair
Maximum capacitance between conductors:	30 pF/ft
Maximum capacitance between conductor and shield:	55 pF/ft
Maximum resistance:	20 ohms/1000 ft
Nominal impedance:	100 ~ 140 ohms

Cable Connectors

Cabling must have a male XLR connector on one end and a female XLR connector on the other end.



Do not allow contact between the common and the fixture's chassis ground. Grounding the common can cause a ground loop, and your fixture may perform erratically. Test cables with an ohm meter to verify correct polarity and to make sure the pins are not grounded or shorted to the shield or each other.

Fixture Linking

You will need a serial data link to run light shows of one or more fixtures using a DMX controller or to run synchronized shows on two or more fixtures set to a master/slave operating mode. The combined number of channels required by all the fixtures on a serial data link determines the number of fixtures the data link can support.



Fixtures on a serial data link must be daisy chained in one single line. To comply with the EIA-485 standard, no more than 32 fixtures should be connected on one data link. Connecting more than 32 fixtures on one serial data link without the use of a DMX optically-isolated splitter may result in deterioration of the digital DMX signal.

*Maximum recommended serial data link distance: 500 m (1640 ft)
Maximum recommended number of fixtures on a serial data link: 32*

Setting the Starting Address

This DMX mode enables the use of a universal DMX controller device. Each fixture requires a start address from 1~512. A fixture requiring one or more channels for control begins to read the data on the channel indicated by the start address. For example, a fixture that uses six DMX channels and was addressed to start on DMX channel 100, would read data from channels: 100, 101, 102, 103, 104, and 105. Choose start addresses so that the channels used do not overlap, and note the start address selected for future reference.

If this is your first time addressing a fixture using the DMX control protocol, we suggest jumping to the "Appendix" section and reading the heading "DMX Primer". It contains very useful information that will help you understand its use.

Returns Procedure

Returned merchandise must be sent prepaid and in the original packing, call tags will not be issued. Package must be clearly labeled with a Return Merchandise Authorization Number (RMA #). Products returned without an RMA # will be refused. Call CHAUVET® and request RMA # prior to shipping the fixture. Be prepared to provide the model number, serial number and a brief description of the cause for the return. Be sure to properly pack fixture, any shipping damage resulting from inadequate packaging is the customer's responsibility. CHAUVET® reserves the right to use its own discretion to repair or replace product(s). As a suggestion, proper UPS packing or double-boxing is always a safe method to use.

Note: If you are given an RMA #, please include the following information on a piece of paper inside the box:

- 1) Your name
- 2) Your address
- 3) Your phone number
- 4) The RMA #
- 5) A brief description of the symptoms

Claims

Damage incurred in shipping is the responsibility of the shipper; therefore the damage must be reported to the carrier upon receipt of merchandise. It is the customer's responsibility to notify and submit claims with the shipper in the event that a fixture is damaged due to shipping. Any other claim for items such as missing component/part, damage not related to shipping, and concealed damage, must be made within seven (7) days of receiving merchandise.

Setting the Starting Address

This DMX mode enables the use of a universal DMX controller device. Each fixture requires a "start address" from 1 to 512. A fixture requiring one or more channels for control begins to read the data on the channel indicated by the start address. For example, a fixture that uses 6 DMX channels and was addressed to start on DMX channel 100, would read data from channels: 100, 101, 102, 103, 104, and 105. Choose start addresses so that the channels used do not overlap, and note the start address selected for future reference.

If this is your first time addressing a fixture using the DMX-512 control protocol, we suggest jumping to the Appendix Section and reading the heading "DMX Primer". It contains very useful information that will help you understand its use.

General Troubleshooting

Symptom	Solution(s)	Applies to			
		Lights	Foggers & Snow	Controllers	Dimmers & Chaser
Breaker/Fuse keeps blowing	Check total load placed on device				✓
Chase is too slow	Check user manual for speed adjustment	✓		✓	✓
Device has no power	Check for power on Mains. Check device's fuse. (internal and/or external)	✓		✓	✓
Loss of signal	Use only DMX cables Install terminator Note: Keep DMX cables separated from power cables or black lights.	✓	✓	✓	✓
No laser output	Bounce mirror motor may have shifted during shipping; readjust	✓			

If you still have a problem after trying the above solutions, please contact CHAUVET® Technical Support.

Contact Us

World Wide

General Information CHAUVET®
3000 North 29th Court
Hollywood, FL 33020
voice: 954.929.1115
fax: 954.929.5560
toll free: 800.762.1084

Technical Support CHAUVET®
3000 North 29th Court
Hollywood, FL 33020
voice: 954.929.1115 (**Press 4**)
fax: 954.929.5560 (**Attention: Service**)

World Wide Web www.chauvetlighting.com

TECHNICAL SPECIFICATIONS

WEIGHT & DIMENSIONS

Length..... 6.9 in (174 mm)
Width..... 6.2 in (158 mm)
Height 10.7 in (273 mm)
Weight..... 3.5 lbs (1.6 kg)

POWER

Auto-ranging Power Supply 100~240 VAC, 50/60 Hz
Power Consumption @ 120 VAC, 60 Hz 11 W (0.2 A) max, 0.2 A inrush
Power Consumption @ 230 VAC, 50 Hz 11 W (0.1 A) max, 0.2 A inrush
Power output 35 units max
Fuse F 2 A, 250 V

LIGHT SOURCE

LED..... 1 x 3 W, 700 mA (white 6,500 K) 50,000 hrs

PHOTO OPTIC

Luminance @ 1 m (6° lens) (installed)..... 15,290 lux
Luminance @ 1 m (9° lens) (included)..... 5,550 lux
Beam Angle (installed) 6°
Beam Angle (included) 9°

RANGE

Pan 540°
Tilt (manual) 330°

THERMAL

Maximum ambient temperature 104° F (40° C)

ORDERING INFORMATION

LED Pinspot 360 LEDPINSPO360

WARRANTY INFORMATION

Warranty 2-year limited warranty