



User Manual



IMPERIAL DABMAN 110

portable DAB+ / VHF receiver

Table of Contents

1. Introduction	3
1.1. Preliminary Note	3
1.2. Service and Support	3
2. Safety Instructions	4
2.1. Basic Safety Instructions	4
2.2. Explanation of Safety Instructions	5
2.3. Intended Use	6
3. Scope of Delivery	6
4. Figures and Description	7
5. Installation	9
5.1. Power Supply	9
5.1.1. Operation with Power Supply	9
5.1.2. Operation with Integrated Battery	9
5.2. Switching On and off	10
6. DAB+ Mode	10
6.1. Automatic Search	10
6.2. Full Station Scan	11
6.2.1. SCAN Button	11
6.2.2. MENU Button	11
6.3. Manual Search	11
6.4. DAB+ Station Presets	12
6.5. LCD Display in DAB+ Mode	12
6.6. DRC - Dynamic Range Control	12
7. FM Mode	13
7.1. Turn on FM Mode	13
7.2. FM Station Presets	13
7.3. LCD Display in FM Mode	13
8. AUX Mode	13
9. Alarm and Sleep Functions	14
9.1. Sleep Timer	14
9.2. Alarm Clock	14
10. System Settings	15
10.1. Language	15
10.2. Time and Date Settings	16
10.3. Factory Settings	17
10.4. Software Version	17
11. Troubleshooting Guide	17
12. Technical Data	18

1. Introduction

1.1. Preliminary Note

Thank you for choosing our DAB+ / VHF Radio IMPERIAL DABMAN 110. If you are using the radio for the first time, please read these instructions carefully and keep them for future reference. Please follow the instructions for optimal and full enjoyment of the various functions of the DAB+/VHF Radio.

This manual will help you with the

- intended
- safe
- advantageous

use of the DAB+ / VHF IMPERIAL DABMAN 110. We assume that the operator of the radio has general knowledge in handling consumer electronics.

Any person, who

- assembles
- connects
- operates
- cleans
- disposed of

this radio, must have taken notice of the full content of this operating manual. Always keep this operating manual in close vicinity of the radio.

1.2. Service and Support

Should your DAB+ radio not function properly, that does not automatically mean that it is defective. Please do not immediately send in the unit, but give us a call first!

Technical Hotline

for Germany: +49 (0) 2676 / 9520101

Alternatively, please send an e-mail to service@telestar.de or a fax to +49 (0) 2676 / 9520159.

Should it not be possible to solve the problem in this way, please send the device to our service center at the following address:

For Germany: TELESTAR Service Center, Am Weiher 14, 56766 Ulmen

For Austria: fsmS GmbH, Welser Straße 79, A-4060 Leonding

2. Safety Instructions

Read the safety instructions carefully before initial operation of the radio. Please observe all warnings and instructions on the device and in the operating manual.

2.1. Basic Safety Instructions

- In the event of malfunctions, disconnect the radio from the power source. Note: The switch on the back does not disconnect the device from the mains.
- To avoid fire hazards and the risk of electrical shock, do not expose the radio to rain or moisture.
- Do not open the body. If you do, there is a danger of electric shock.
- Only connect the radio to a properly installed mains socket of 220-240 V~, 50-60 Hz.
- Disconnect the external power supply from the socket when you are not using the device for an extended period of time. Only pull at the plug, not at the cable.
- In the event of a thunderstorm, unplug the power adaptor of the radio from the socket.
- Should any foreign objects or liquid enter the radio, immediately unplug the power adaptor from the socket. Have the device checked by professionally qualified personnel before it is put back into operation. Otherwise there is a danger of electric shock.
- Make sure that the power source (socket) is easily accessible.
- Do not bend or squeeze the cable connections.
- If the power cable is damaged, the radio must be repaired by an expert before using it again. Otherwise there is a risk of electric shock.
- Do not leave children unattended while using the radio.
- Always leave maintenance works to professionally qualified personnel. Otherwise, you are putting yourself and others at risk.
- In the event of malfunctions, disconnect the radio from the power source.
- Spare parts must be ordered directly from the manufacturer.
- Changes to the device will result in the expiration of the manufacturer's responsibility.
- Remove the protective films.

Caution!

Disconnection from the mains. In addition, the device takes up electricity when in standby mode. To completely disconnect the device from the mains, the power adaptor must be unplugged from the socket.

Proper location

- Place the radio on a firm, level surface.
- Avoid proximity of: heat sources, such as radiators, open flames, such as candles, devices with strong magnetic fields, such as speakers.
- Do not place any objects filled with liquid (e.g. vases) on the radio.
- Avoid direct sunlight and places with excessive dust.
- Do not cover the ventilation slots. Provide adequate ventilation of the radio.
- Do not place heavy objects on the radio.
- If you move the radio from a cold to a warm location, moisture may condense inside the radio. In this case, wait for about an hour before putting it into operation.
- Lay the power cable in a way that no one can step on or trip over it.

The proper handling of batteries

- Batteries may contain toxic substances. Ensure that batteries are out of the reach of children. Children may put batteries in their mouth and swallow them. Should a battery be swallowed, immediately seek medical help.
- Leaking batteries can cause damage to the radio. Remove the batteries if the radio is not in use for a long time.
- Batteries may contain toxic substances. Therefore, dispose of the batteries in accordance with applicable regulatory requirements and in an environmentally friendly manner. Do not dispose of the batteries in the normal domestic waste.
- Do not expose the batteries to open fire or extreme heat, as this will cause a danger of explosion.
- Always replace the batteries with the same type.

2.2. Explanation of Safety Instructions

In this manual you will find the following categories of safety instructions:

DANGER!

Instructions with the word DANGER warn of possible personal injury.

CAUTION!

Instructions with the word CAUTION warn of possible property or environmental damage.

These instructions contain special information for economic use of this receiver.

2.3. Intended Use

The radio is designed to receive DAB+ and FM and is additionally equipped with a connection for external audio equipment, such as MP3 player or iPod, for private application. It is solely intended for this purpose and must always be used according to this intended use. This includes the compliance with all information in this manual, in particular the safety instructions. Any other use is considered improper and can lead to property damage or even personal injury. Improper use also results in the immediate loss of warranty. The manufacturer does not accept any liability for damages caused by improper use.

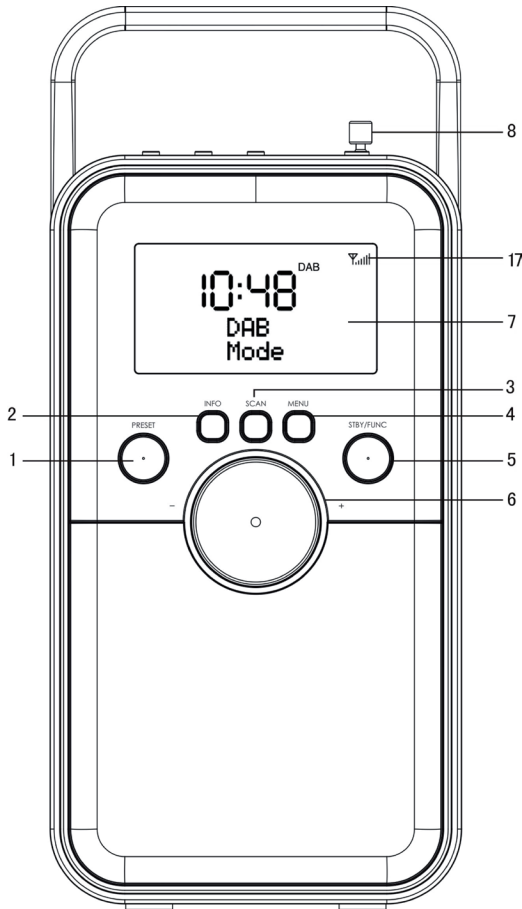
Check the scope of delivery after purchase. Contents can vary depending on the model, refer to the information on the packaging.

3. Scope of Delivery

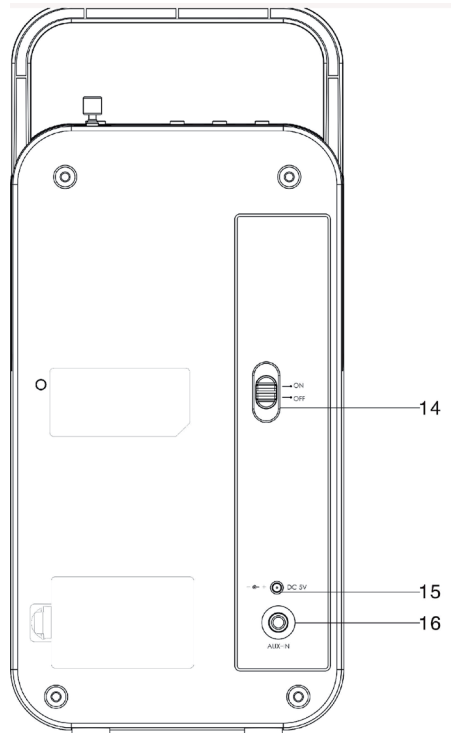
1x DABMAN 110 (depending on model in black or white-gray), 1x 5V power adapter, 1x 3.5mm audio jack cable, 1x user manual, 1x warranty card.

4. Figures and Description

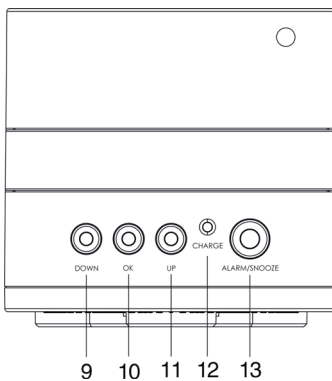
Front View



Rear View



Top view



No.	Designation	Function
1	PRESET Button	<ul style="list-style-type: none"> • Selecting saved DAB+ / FM radio stations (each with 20 presets) • Saving of radio stations
2	INFO Button	<ul style="list-style-type: none"> • Navigation through information in DAB+ / FM mode
3	SCAN Button	<ul style="list-style-type: none"> • Automated station scan (DAB+ and FM mode)
4	MENU Button	<ul style="list-style-type: none"> • On/Off Button for Sleep Timer • Accessing various sub-menu items
5	STBY/FUNC Button	<ul style="list-style-type: none"> • Turning the radio on/off in standby mode • Selection of operating mode (FM and DAB+ radio, AUX for playback of external devices)
6	Volume control	<ul style="list-style-type: none"> • Knob to control volume
7	LCD Display	<ul style="list-style-type: none"> • Display of station information and time
8	Telescopic antenna	<ul style="list-style-type: none"> • Pivotal and turnable antenna (max. length: 50cm)
9	Down	<ul style="list-style-type: none"> • Navigation through DAB+ / FM station list (down) • In FM mode: to fine-tune the frequency (50kHz down) • Automated search down the frequency range (hold key)
10	OK	<ul style="list-style-type: none"> • Confirmation of selected input / option
11	Up	<ul style="list-style-type: none"> • Navigation through DAB+ / FM station list (up) • In FM mode: to fine-tune the frequency (50kHz up) • Automated search up the frequency range (hold key)
12	Charging indicator	<ul style="list-style-type: none"> • Specifies charger status when operating with battery

No.	Designation	Function
13	Alarm/Snooze	<ul style="list-style-type: none"> • For turning on sleep mode in alarm function • Allows to set the alarm with exact date and time (hold key during operation) • Dimmer switch for LCD display (press briefly, options: bright, dim, off)
14	On/Off switch	<ul style="list-style-type: none"> • Slide switch for turning the radio on/off
15	DC Connection	<ul style="list-style-type: none"> • Connection for external power supply
16	3.5mm AUX input	<ul style="list-style-type: none"> • 3.5mm jack input for connecting external playback devices
17	Signal indicator	<ul style="list-style-type: none"> • Display of signal quality in DAB+ and FM radio reception (the stronger the signal, the more bars are displayed)

5. Installation

Please remove the parts carefully from the packaging. Make sure that all components are included.

5.1. Power Supply

5.1.1. Operation with Power Supply

Connect the power adaptor 220V 50hz (DC 5V) with the radio and a 220V socket. Now set the **On/Off switch** (see chapter 4, table 14) to "On".

5.1.2. Operation with Integrated Battery

If you wish to operate the radio with the built-in battery, you first have to charge it with the power adaptor. For this, use the included power adaptor and connect the radio as described in 5.1.1.

- keep the **On/Off switch** set on "off".
- The charging of the battery is shown by a yellow light in the charge indicator (see chapter 4, table 12).
- When the battery is fully charged, the charge indicator will change from yellow to green. Please charge the battery completely before initial operation.
- Do not leave the radio unattended during the charging process.
- The duration of the charging process depends on the battery's charge, but is max 2 hours.

CAUTION: please unplug the radio completely from the mains, should it not be in use over a longer period.

5.2. Switching On and off

- Turn the device on by operating the **slide switch** (see chapter 4, table 14) on the rear of the device (position "ON").
- The display lights up and the message "Welcome to Digital Radio" is displayed briefly.
- Subsequently, the time display flashes showing 00:00, with the message "No Time Setting" underneath.
- To switch the DABMAN 110 to standby mode, press and hold the button **STBY/FUNC** (see chapter 4, table 5). The device switches to standby mode. By pressing the button again, the radio is turned back on.
- To turn the device off, operate the **slide switch** on the rear (position "OFF").

Note: when the DABMAN 110 is turned on for the first time, it starts up in FM mode. Briefly press the STBY/FUNC to toggle between the different operating modes (AUX-In, DAB+, FM). The time is set automatically once you switch to DAB+ mode. Alternatively, the time can be set manually in every operating mode. Refer to item "Time" in the chapter "System Settings."

6. DAB+ Mode

In DAB+ mode, the DABMAN 110 receives digital radio signals and provides appropriate radio text information in the display. To ensure optimum reception, extend the telescopic antenna to the maximum length before you turn on the radio.

6.1. Automatic Search

- If the radio is turned on for the first time and set to DAB+ operating mode using the **STBY/FUNC** button, the radio automatically performs a channel search. In this case, the complete frequency spectrum (174-240 MHz) is scanned.
- The note "search" appears on the display. A progress bar underneath indicates how far advanced the channel search is.
- If the search process is complete, the display shows the current time. In addition, the radio playback will start with the first station that was found.
- To change channels, press the **Up/Down** buttons (see chapter 4, table 9 & 11). The display shows the name of the selected station. If you wish to switch to this station, confirm your selection by pressing the **OK** button (see chapter 4, table 10).
- Should no DAB+ reception be possible or no station be received, the display will show the message "No reception".

Note: depending on the location, there may be considerable differences in the reception of DAB+ programmes. For the first scan we recommend you set up the radio near a window, extend the telescopic antenna completely and align it. From time to time you should also perform a new search to keep the station list up to date. If a station can no longer be received, the display shows a question mark ("?") in front of the station name.

6.2. Full Station Scan

There are two options to start a station scan again:

6.2.1. SCAN Button

- Briefly press the **SCAN** button (see chapter 4, table 3), the search starts again, as described in 6.1. In addition, the display shows the message "Scan" and a progress bar is displayed.
- After completion, the current time is displayed, and the radio playback starts with the first station that was found.
- This is the fast way to perform a station search.

6.2.2. MENU

- Press the **Menu button** (see chapter 4, table 4).
- Use the **Up/Down** buttons (see chapter 4, table 9 & 11) to select "Full Scan" and confirm the selection with **OK** (see chapter 4, table 10).
- The search starts anew, as described in 6.1. In addition, the display shows the message "Scan" and a progress bar is displayed.
- After completion the current time is displayed, and the radio playback starts with the first station that was found.

6.3. Manual Search

In addition to automatic search you can also scan individual stations and frequencies manually. This is useful if you want to achieve the best possible reception or want to expand the station list by a specific station, of which you know the frequency, without performing a full scan.

- Press the **Menu button** (see chapter 4, table 4).
- Use the Up/Down buttons (see chapter 4, table 9 & 11) to select "manual adjustment" and confirm the selection with **OK** (see chapter 4, table 10).
- Now select the desired channel/frequency you wish to scan/set manually with the **Up/Down** buttons and confirm the selection with **OK**.
- The display now shows the actual signal strength of the received channel (highlighted rectangle). By carefully aligning the antenna, the reception quality can be increased.

6.4. DAB+ Station Presets

The DABMAN 110 is equipped with 20 station presets, which can be programmed according to your preferences. To save a station in the list, proceed as follows:

- Select the station to be saved by using the **Up/Down** buttons and confirm the selection with **OK**.
- Now press and hold the **PRESET** button (see chapter 4, Table 1), until the note "save the programme" appears in the display.
- Now select the memory slot by using the **Up/Down** buttons and confirm the selection with **OK** to confirm the saving. The message "programme saved" will appear in the display.
- To select preset stations, briefly press the **PRESET** button. The note "select programme" appears in the display. Now you can use the **Up/Down** buttons to select a programme from the station memory. By pressing the **OK** button you switch to the selected programme.

6.5. LCD Display in DAB+ Mode

6.5.1. Station Information and DLS

During DAB+ operation the LCD display of the DABMAN 110 will display station information. This includes, in addition to the current time, the name of the selected radio station, as well as other information that is transmitted through DLS (Dynamic Label Segment) by the broadcaster. The LCD display will, for example, show the name of the song and artist, or contact details, or further information provided by the broadcaster. Where the information exceeds a length of 16 characters, the information will be displayed as ticker text.

6.5.2. Info Button: access further information

By repeatedly pressing the **info button** (see chapter 4, table 2) you can scroll through the info menu and access various information (DLS text info, DL plus info (if available), signal strength, channel number & frequency, time, date).

6.6. DRC - Dynamic Range Control

DRC decreases the difference in volume between the loudest and quietest signal of a transmission - this means in practice that quieter sounds are transmitted louder in relation, and loud sounds are transmitted quieter in relation. You can turn DRC on/off, in accordance with your listening habits, as follows:

- Press the **Menu button** (see chapter 4, table 4).
- Use the **Up/Down** buttons (see chapter 4, table 9 & 11) to select "DRC" and confirm the selection with **OK** (see chapter 4, table 10).
- Use the **Up/Down** buttons to select the desired DRC mode between "high" (recommended for use of the radio with high ambient noise), "low" and "off". Confirm the selection with **OK** (see chapter 4, table 10).

- The factory setting for DRC is off.

7. FM Mode

In this mode, the DABMAN 110 receives analog radio signals from the FM band (between 87.5 and 108 MHz) and RDS signals, provided they are transmitted. To ensure optimum reception, extend the telescopic antenna to the maximum length before you turn on the radio.

7.1. Turn on FM Mode

- Turn on the radio by pressing and holding the **STBY/FUNC** button.
- Select the FM mode by briefly pressing the **STBY/FUNC** button, the display shows the message "FM Mode".
- Now press and hold the **SCAN** button to scan the frequency range from bottom to top for a receivable radio station. The search will stop automatically when a radio station is received.
- Use the **Up/Down** buttons to fine-tune the reception, here the frequency is adjusted in steps of 50 kHz up or down.
- Should the reception be weak or superimposed by strong noise, you can increase the reception quality by carefully aligning the antenna.

7.2. FM Station Presets

Analogous to the DAB+ mode, the DABMAN 110 is also equipped with 20 station presets in FM mode, which can be programmed according to your preferences. To save a station, proceed as described in chapter 6.4. above.

7.3. LCD Display in FM Mode

7.3.1. RDS station information

In FM mode, the LCD display will show background information about the received programme, if sent by the broadcaster. These include, in addition to the current time, the name of the selected radio station and further information, such as the name of the song and the artist. Where the information exceeds a length of 16 characters, the information will be displayed as ticker text.

7.3.2. Info Button: access further information

By repeatedly pressing the **info button** (see chapter 4, table 2) you can scroll through the info menu and access various information (genre, frequency, audio mode, time, date).

8. AUX Mode

In AUX mode, you can play MP3 files stored on external devices, such as MP3 players or smartphones, on the DABMAN 110.

- Connect an external device, such as an MP3 player, with a 3.5mm audio cable (included) to the AUX-In jack (see chapter 4, table 16) on the back of

- the radio.
- Turn on the MP3 player and start the playback.
- Turn on the radio by pressing and holding the **STBY/FUNC** button.
- Select the AUX mode by briefly pressing the **STBY/FUNC** button. The message "AUX Mode" will appear in the display.
- The volume of the playback can be controlled with the **volume control** of the DABMAN 110 (see chapter 4, table 6). All other functions, such as forward or rewind, pause playback, etc., can be controlled with the externally connected device.

9. Alarm and Sleep Functions

The time-bound functions of the DABMAN 110 are summarised under this point. In addition to the sleep timer, the radio also has two alarm clocks.

9.1. Sleep Timer

The DABMAN 110 is equipped with a sleep timer. If this function is activated, the radio automatically switches off after a certain period of time (1/20/30/60/90/120 minutes). The sleep timer is disabled in the factory settings. To activate this feature, please proceed as follows:

- Press and hold the **menu button** during operation (see chapter 4, table 4) to open the sleep timer menu. The message "time setting sleep" will appear in the display.
- Use the **Up/Down** buttons (see chapter 4, table 9 & 11) to select the desired time period after which the sleep timer should come on. The following options are available: (off/1/20/30/60/90/120 minutes). Confirm your selection with **OK**, the sleep timer is now activated. A bubble icon with "ZZZ" will be displayed next to the time.
- To deactivate the sleep timer, access the sleep timer menu again, select the option "off" by using the **Up/Down** buttons (see chapter 4, table 9 & 11) and confirm with **OK**. The sleep timer is now disabled.

9.2. Alarm Clock

In addition to displaying the time and date the DABMAN 110 has 2 alarms that can be set independently. Setting each alarm (alarm 1 and alarm 2) follows the same scheme. To set the alarm, proceed as follows:

- Press and hold the **Alarm/Snooze button** during operation (see chapter 4, table 13), until the message "set alarm 1" appears in the display. In addition, a bell symbol with the number 1 will flash in the display to the left of the time.
- Now press and hold the **OK** button, the alarm time assistant will guide you through the other settings. First, select the desired alarm time in hours and minutes by using the **Up/Down** buttons (see chapter 4, table 9 & 11). Confirm each entry with **OK**. The following items are also set by using the **Up/Down** buttons and by confirming the selection with **OK**.

- Then select the time period for which the alarm will be active. If the alarm is not turned off during this time, it automatically returns to standby mode after the time has elapsed.
- Under "source" you can select the alarm mode by using the **Up/Down** buttons. DAB, FM, buzzer and AUX are available.
- In the next item, you can, if DAB or FM are selected in "source", set the station to be played when waking. Here you can choose "last heard" or a station saved in the channel list.
- Now you can choose how many times the alarm should be set: through the **Up/Down** buttons you select between the options daily (every day), working days (Monday-Friday), weekend (Saturday-Sunday), or once. If you selected the option "once" you will then have to choose the desired date.
- Finally, turn the alarm on or off. When the alarm is switched on, the message "alarm saved" is displayed, and the bell symbol will appear to the left of the time.
- Snooze: when the alarm is active, it can be turned off by pressing the **Alarm/Snooze button** (see chapter 4, table 13), so that it will ring again after a certain period of time (10 minutes). The display shows the time remaining until the next alarm.
- If the alarm is to be turned off completely, press and hold the **Alarm/Snooze button**. The display will show the message "alarm off".

To set the second alarm, press and hold the **Alarm/Snooze button** twice during operation (see chapter 4, table 13), until the message "set alarm 2" appears on the display. In addition, a bell symbol with the number 2 flashes in the display to the left of the time. Setting the alarm is done as described in 9.2.

10. System Settings

The item System Settings summarises functions, which are controlled via the main menu of the DABMAN 110. They are generally controlled with the **menu button** (see chapter 4, table 4), and the selection is made with the **Up/Down** buttons (see chapter 4, table 9 & 11), the individual menu items are accessed and the settings confirmed with the **OK** button (see chapter 4, table 10).

10.1. Language

The DABMAN 110 supports multiple languages (German, English, French, Italian). To select the language, please proceed as follows:

- Press the **menu button**.
- Use the **Up/Down** buttons to select "System", and confirm your selection with **OK**.
- Now select "Languages" and confirm with **OK**.
- Use the **Up/Down** buttons to select the desired language, then confirm your

- selection with **OK**. The menu now switches to the selected language.

10.2. Time and Date Settings

Time and date can also be set manually. The manual setting is only necessary if the DABMAN 110 cannot be used in DAB+ or FM mode, as the time and date synchronisation usually happens automatically here. The automatic time recognition is enabled in the factory and can be deactivated in this menu item.

10.2.1. Setting time and date manually

To set date / time manually, proceed as follows:

- Press the **menu button**.
- Use the **Up/Down** buttons to select "System", and confirm your selection with **OK**.
- Now select "Time" and confirm with **OK**. Pressing the **OK** button again opens the menu for manual input of the time. By using **Up/Down** you can set the selected time in hours and minutes, confirm the input with **OK**. Proceed with the date input the same way as with the time input.
- Once you entered the time and date manually, the message "time saved" appears in the display. You automatically return to radio mode.

10.2.2. 12-/24-hour mode

To switch the time display between 12- and 24-hour mode (factory setting: 24-hour mode), proceed as follows:

- Press the **menu button**.
- Use the **Up/Down** buttons to select "System", and confirm your selection with **OK**.
- Now select "Time" and confirm with **OK**, then select "set 12/24 hours".
- Press **OK** - using **Up/Down** you can now select the desired display mode, then confirm the selection with **OK**. After entering, the time display changes to the selected mode, you will automatically return to radio mode.

10.2.3. Change date display

The format of the date display can also be adjusted, please perform the following steps:

- Press the **menu button**.
- Use the **Up/Down** buttons to select "System", and confirm your selection with **OK**.
- Now select "Time" and confirm with **OK**, then select "date settings".
- Press **OK** - using **Up/Down** you can select the desired display mode (DD-MM-YYYY or MM-DD-YYYY), then confirm the selection with **OK**. After entering, the date display will change to the selected mode, you will automatically return to radio mode.

•

10.3. Factory settings

In this menu item you can reset the DABMAN 110 to its factory settings. This may be necessary if changes in the basic settings triggered an impairment of the functions of the DABMAN 110.

Important note: by accessing the factory settings, all individual settings, such as preset station lists or alarms, are lost!

To access the factory settings, please proceed as follows:

- Press the **menu button**.
- Use the **Up/Down** buttons to select "System", and confirm your selection with **OK**.
- Use the **Up/Down** buttons to select "factory settings", confirm the selection with **OK**.
- Now select "Yes" by using the **Up/Down** buttons and confirm with **OK**.
- The message "restart" appears in the display - the radio was reset to the factory settings, time and date are flashing.

10.4. Software Version

Through the system menu you can display the operating software available on the DABMAN 110. This can be useful if you wish to contact our technical support for example. To access the software information proceed as follows:

- Press the menu button.
- Use the **Up/Down** buttons to select "System", and confirm your selection with **OK**.
- Use the **Up/Down** buttons to select "SW version", and confirm your selection with **OK**.
- The display now shows the name of the software available on the device as ticker text.

11. Troubleshooting Guide

Problem	Poss. Cause	Solutions
No operation possible	The device is hung up	Unplug the device for about 5 seconds from the power supply and turn off the device via the slide switch. Then reconnect and turn on.
No sound	The volume is too low	Increase the volume by using the corresponding controller

Problem	Poss. Cause	Solutions
Audio quality is poor	<ul style="list-style-type: none"> The broadcast signal is too weak The battery is almost empty 	<ul style="list-style-type: none"> Adjust the antenna or perform a new scan Charge the battery using the included power adapter
FM reception: noise DAB+ reception: interruption of the sound signal or display message "no reception"	weak signal	<ul style="list-style-type: none"> Check the antenna Realign the antenna or move the radio to a different location Run the a new scan

12. Technical Data

power adapter (included)	Input voltage: 100-240V AC, 50-60 Hz Output voltage: 5V DC, 2A
Battery capacity	1000 mAh
Maximum operating time (battery)	3 hours
Battery charging time	2 hours
Power consumption	Operation: 8W Standby:<1W
DAB+ frequency band	174-240 MHz
VHF frequency range	87.5-108 MHz
Recommended ambient temperature	-5°C ~ + 40°C.
Recommended ambient humidity	20%~ 80%
Dimensions of device (WxHxD)	110 x 200 x 100mm
Weight	approx. 700g

**Your device carries the CE mark and complies with all relevant
EU standards. Changes and printing errors reserved.**

Version 04/14

**Copy and reproduction only with approval of the
publisher.**

©TELESTAR-DIGITAL GmbH 2014