

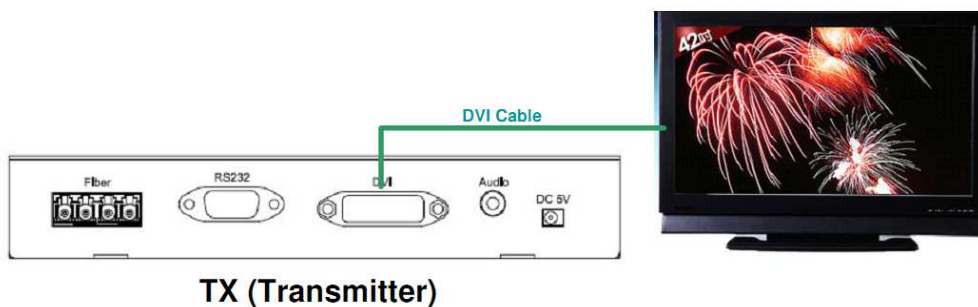
DVI-D Dual Link Extender 500m 4x LC 50/125µm

To perform the auto-learning function, there are two modes. Please follow the steps below to copy the monitor EDID code into TX (Transmitter) EEPROM.

Mode 1 Direct Copy Mode – Monitor to Transmitter

Step 1

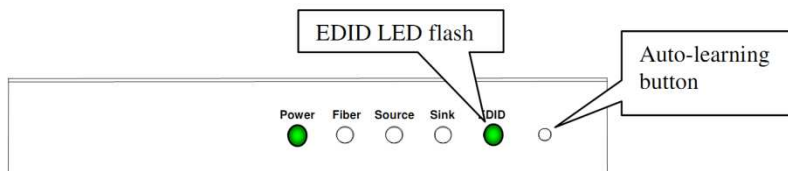
Use DVI cable to connect TX (Transmitter) unit to the display. And connect AC/DC adaptor to TX unit.



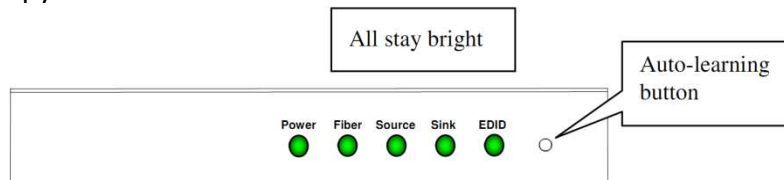
Step 2

Press the Auto-learning button in the front panel. The EDID LED will flash several times and then stay on for a few seconds to indicate successful copy of EDID data. Otherwise, all LED will stay bright for several seconds to indicate failed clone of EDID data. If failed, please check the setup and try again.

(1) LED indicate successful copy



(2) LED indicate failed copy



Step 3

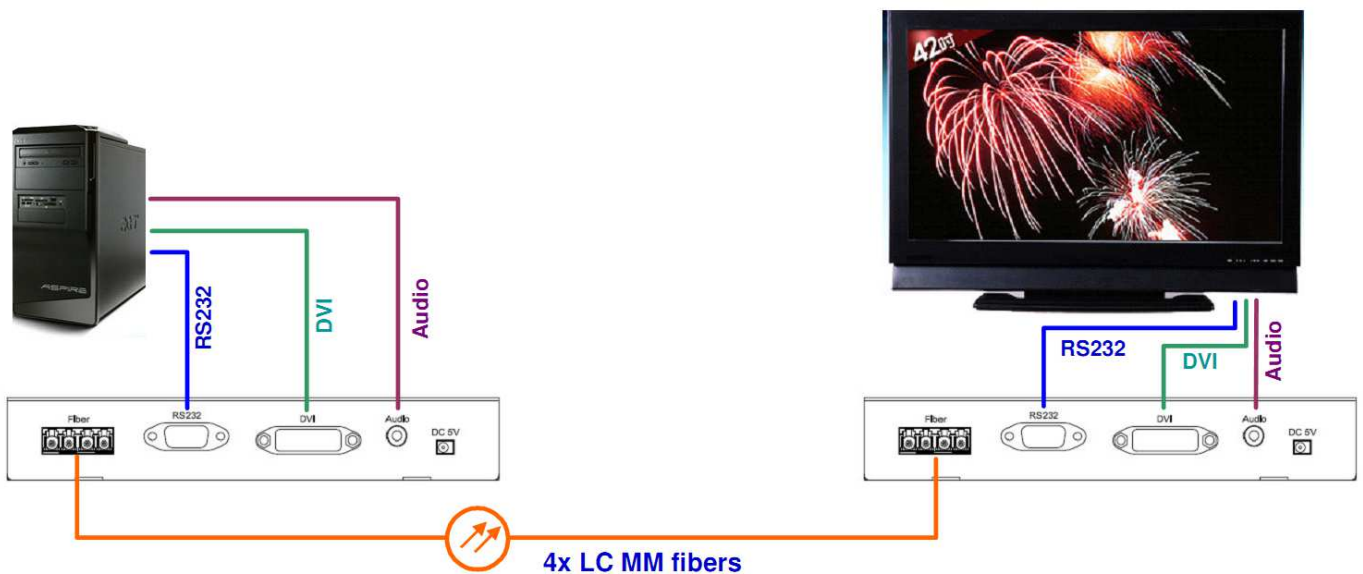
Follow the regular installation steps to setup the connections.

DVI-D Dual Link Extender 500m 4x LC 50/125µm

Mode 2 Remote Learning Mode – i.e. for installed systems

Step 1

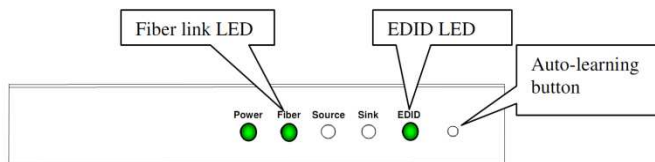
Follow the complete installation steps to setup the system (as shown below). Connect DC adaptors to both TX and RX units.



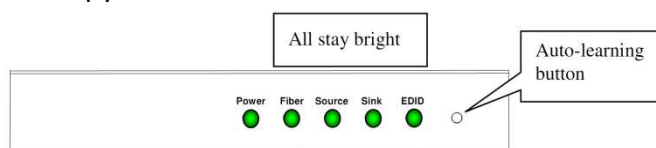
Step 2

Keep PC turned-off and make sure the Fiber link LED is staying bright. Press the Auto-learning button of either TX unit or RX unit. The EDID LED in both TX and RX units will flash several times and then stay on for a few seconds to indicate successful copy of EDID data. Otherwise, all LED will stay bright for several seconds to indicate failed clone of EDID data. If failed, please check the setup and try again.

(1) LED indicate successful copy



(2) LED indicate failed copy



Step 3

Turn on PC and monitor.