

KARMA®

www.karmaitaliana.it

DJ LED234

Disco light effect

Instruction manual

E

Congratulation for your choice!

Congratulations for your choice! The Karma product you have purchased is the result of careful planning by specialized engineers . High quality materials have been used for its construction, to ensure its functioning over time. The product is manufactured in compliance with strict regulations imposed by the European Union, a guarantee of reliability and safety. Please read this manual carefully before starting to use the fixture in order to exploit its full potential.

Karma has several products' accessories that can complete your device. We invite you to see the whole range of our products by visiting our website: www.karmaitaliana.it, where you will find , in addition to all our items, detailed descriptions and further documents related to the product. We hope that you will be satisfied with your purchase and we thank you again for your trust in our brand.

Safety notes

- Keep this User Manual for future reference. If you sell the product to another user, be sure to give this manual to the next owner.
- Make sure the voltage of the power source used for the product is correct.
- This product is not suitable for outdoor use.
- To avoid the risk of fire or short-circuits never expose the fixture to rain or moisture.
- Do not operate the product in an ambient temperature higher than 35°.
- In the event of a serious operating problem, stop using the product immediately. Never try to repair the product, but contact the authorized technical assistance center.
- Repairs carried out by untrained people can lead to damage both to the fixture and to persons.
- Make sure the power cord is not damaged.
- Never disconnect the product from the power source by pulling on the cord.



CAUTION:

When you receive the product you have to check carefully that the parcel is not damaged from shipping or open. Even if the packaging is not damaged you have to check the product's conditions within three (3) days from the reception. For any kind of problem found on the item, it is necessary to address a claim to the seller and to our offices (also by e-mail), describing in detail the damage. Any claim received beyond the 3-day time limit, will not be accepted. It is suggested to save all the packaging, labels, delivery bill and all that can be useful to solve quickly the problem.

SAFETY NOTES

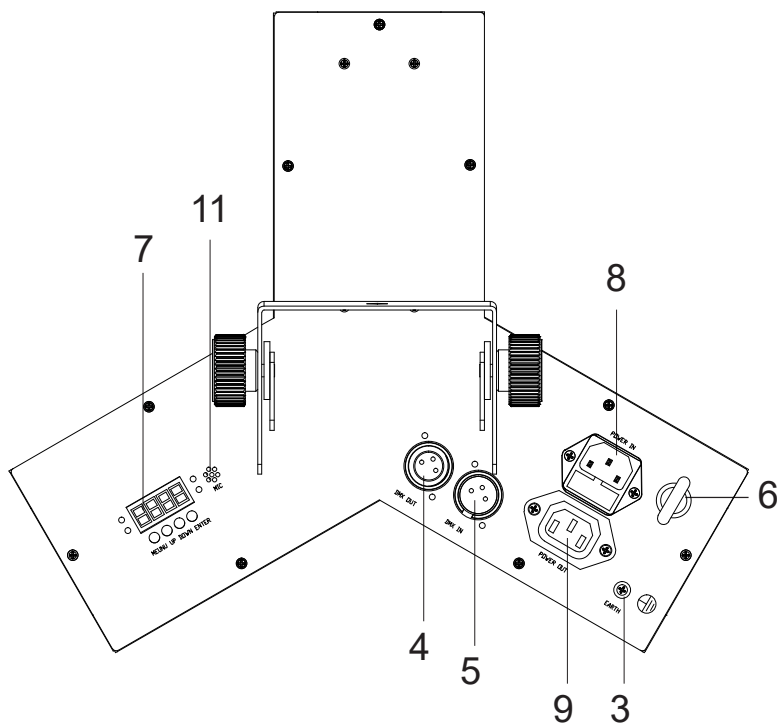
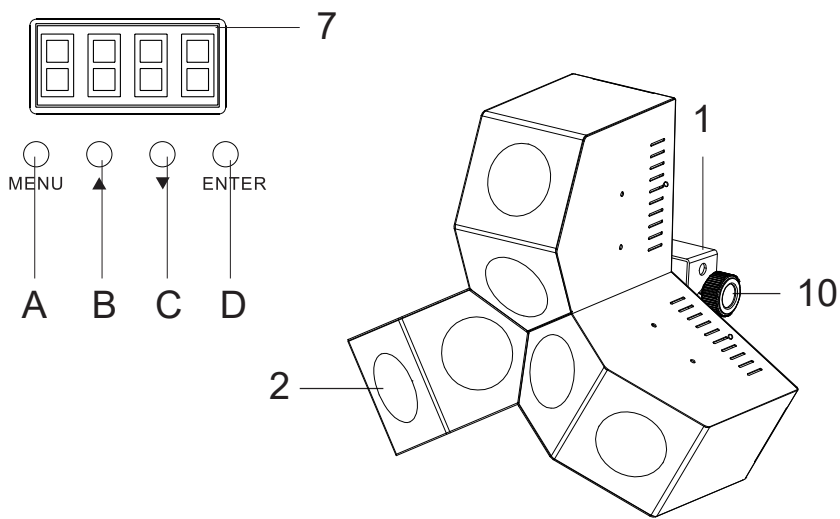
- Keep this User Manual for future reference. If you sell the product to another user, be sure to give this manual to the next owner. Visit our website to check if any updates are available.
- Make sure the voltage of the power source used for the product is correct.
- This product is not suitable for outdoor use (in presence of moisture)
- To avoid the risk of fire or short-circuits never expose the fixture to rain or moisture.
- Do not operate the product in an ambient temperature higher than 40C°.
- In the event of a serious operating problem, stop using the product immediately. Never try to repair the product, but contact the authorized technical assistance center. Repairs carried out by untrained people can lead to damage both to the fixture and to persons.
- Make sure the power cord is not damaged.
- Never disconnect the product from the power source by pulling on the cord.
- Do not connect any kind of dimmer packs.



This symbol alerts you to the presence of not isolated and high voltage parts inside the device, which could cause electric shock to the user



This symbol alerts you to the presence of important operating and maintenance, in the manual or in the documentation accompanying the product





Before arranging any connection, make sure that the plug is disconnected from the mains. All connections should be made with the device off.

1. Mount the light on a stand thanks to the specific bracket (1) and adjust the tilt as you prefer . The knob (10) allows to fasten it on the desired position.
2. If you install the fixture in a public location or for more safety, you can use a safety sling (KARM mod. SAFE 3MM) to fasten it to the stands. In this case use the safety ring (6) on the back of the product
3. If you mean to use the device in a DMX light installation, connect the input and output cables to the DMX IN / OUT sockets (4-5)
4. Connect the power cable to the fixture's socket (8) and then to the 230V mains. If you want to connect other light effects in daisy chain you can use the specific socket (9). Don't connect more than 5 devices together. If necessary connect the device to the ground by using the connector (3)
5. Once completed these steps you are ready to use your light effect.
6. This product can produce two types of effect: lighting rays (2) and strobo effect (3). Be careful to position it correctly in order to obtain the best result, avoiding to cover the lenses (2).

It can also be used in different modes:

- Auto mode
- Sound activated mode
- Master / slave mode
- Through infrared remote control
- DMX mode

In the following pages the above modes will be analyzed in detail.

The display (7) and its keys will help you in setting the device and in choosing the operating mode. The keys B and C allow to choose the options, while the key D confirms the choice. The key A allows to select the main functions. Please refer to the chart at page 6 to see the available modes and the related settings.

| MODALITA' | PROGRAMMA | DESCRIZIONE |
|---|-------------|-------------------------------------|
| Addr | A001 - A512 | Indirizzo DMX / Slave |
| AUtO | Pr00 | Tutti gli effetti in rotazione |
| | Pr01 - Pr18 | Effetti da 1 a 18 |
| | S001 - S255 | Velocità esecuzione |
| | FL01 - FL04 | Velocità lampeggio strobo |
| SOUN | Sd00 | Effetti in rotazione modalità sound |
| | Sd01 - Sd16 | Effetti modalità sound da 1 a 16 |
| uEr | | Versione Software |
| | | |
| Visibili solo mentre si usa il telecomando | rEd | Rosso |
| | GrEE | Verde |
| | bLUE | Blu |
| | AnbE | Ambra |
| | St00 - St04 | Velocità strobo in modalità colore |
| | OFF | Spento |

AUTO MODE

Through the display (7) and its keys (A,B,C,D) select one of the two auto modes (Pr00 or Pr 01 / Pr 018). You can then adjust the effect speed through the values S001 - S255 and, if you like, the flashing (FL 01- FL 04)

SOUND ACTIVATED MODE

Through the display (7) and its keys (A,B,C,D) select one of the three “sound” programs (Sd00 or Sd01/Sd16). The device will light on according to the music rhythm, perceived thanks to the small microphone inside it (11)

MASTER SLAVE /MODE

In this mode you can connect more than one device of the same model so that they will be synchronized. To do that, the first unit will operate in standard way, while all the others (slaves) will be connected to the first (master) in daisy chain, using the DMX connectors (4) and XLR cables. All the units connected to the master must be set in SLAVE mode through the specific menu.

In this way the slave units will run exactly the same programs as the master unit.

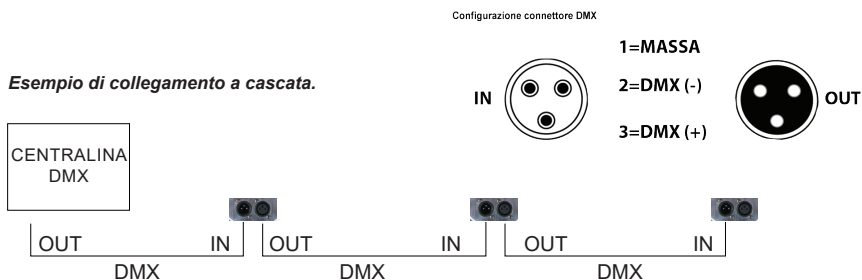
DMX MODE

In a DMX 512 linking there are 512 channels available.

Each DMX fixture uses one or more channels to manage its functions. The user must assign a starting address to each DMX fixture. This address will indicate the first channel used on the controller. You have to plan the starting address choice in order to avoid channels’ overlapping. Otherwise the fixture wouldn’t work correctly.

Example: If you need to connect 3 DMX fixtures, each with 10 channels, the first unit is to be set on address 1, the second unit on address 11 and the third one on address 21. Anyway you can set the same starting address on more devices if you wish them to operate in synchrony. DMX devices are conceived to receive datas through a serial Daisy Chain connection. With this kind of linking the datas output of a fixture is connected to the data input of the following one. The order of linking of the devices is not important and it doesn’t affect on how the controller manages each of them. We suggest to put them in the easiest and most direct sequence for cable connection. The cable length should not be more than 100mts to avoid interferences with other signals or electric devices. When you arrange the connections make sure that the fixtures and the cables use

the polarities indicated in the chart below.



To set the address (from 001 to 512) you want to assign to the unit, press the menu touch (2) until you the letter “d” appears. Then set the address with the keys up and down and confirm with enter.

To operate correctly in DMX systems, you have to know the number of channels available in each fixture and the function of these channels. Here is the chart with the functions of the 4 DMX channels of your new fixture.

| CANALE | VALORE | DESCRIZIONE |
|--------|---------|---------------------------------------|
| CH 1 | 0 | Tutto spento |
| | 1-13 | Rotazione effetti da 1 a 18 |
| | 14-255 | Effetti statici da 1 a 18 |
| CH 2 | 0 - 255 | Velocità effetti da lento a veloce |
| CH 3 | 0-255 | Velocità led strobo da lento a veloce |
| CH 4 | 0 | Modalità auto (attivi CH1-CH3) |
| | 1-14 | Effetti sound a rotazione (da 1 a 16) |
| | 15-255 | Effetti sound statici (da 1 a 16) |

REMOTE CONTROL MODE

Blackout:

Press to disable any beam. Press again to enable it.

Auto

It enables auto mode. Through the + and - keys you can choose the desired Sound mode.

Flash

It enables strobo mode.

Through the + and - keys you can choose the desired flashing speed.

DMX

It enables and disables DMX mode. Press it for about 2 seconds to enable it

Manual

Once pressed the key it will be possible to choose manually the color of the light beams. To do that you can act on the keys R,G,B,A,W

+/-

Through the + and - keys you can increase or reduce the value of DMX, speed and microphone sensitivity.

Jump

It selects the chases from 1 to 16

Color

It selects directly the colors red, green, blue and amber. In the same way the keys 0-9 select other colours.





This symbol alerts you to the presence of important operating and maintenance, in the manual or in the documentation accompanying the product



The CE mark indicates that this product complies with the European Community standards EMC (Electromagnetic Compatibility) and LVD (Low Voltage Directive). Compliance documentation in complete form is available at the company Karma Italian Srl.



The symbol of the crossed-out dustbin indicates that the product at the end of its life must be collected separately from other waste . The user must , therefore , take the remote control integrates the essential components come to an authorized disposal center for collection of waste electronic and electrical , or returning it to the dealer when buying new equipment of equivalent type , at a rate of one to one. Appropriate separate collection for the decommissioned equipment to recycling , treatment and environmentally compatible disposal helps to prevent negative impact on the environment and human health and promotes recycling of the materials making up the product. Illegal dumping of the product by the user entails the application of administrative sanctions pursuant to Legislative Decree n . 152/2006 (Art.255 Part 4)



This symbol indicates that the product complies with international standards RoHS (Restriction of certain Hazardous Substances) which restricts the use of certain hazardous substances in electrical and electronic equipment put on the European market from 1 July 2006. It is part of a series of EU Directives and environment and ' closely connected to the WEEE Directive (Waste Electrical and Electronic Equipment).

Karma Italiana srl, in order to improve its products, reserves the right to modify the characteristics whether technical or aesthetic , at any time and without notice.

Warranty certificate

The product is covered by warranty, according to the current regulations. We suggest to keep the receipt or the invoice in order to use it, in case of necessity, as purchase proof.

Damages caused by negligence or wrong use of the device are not covered by warranty.

The warranty is no longer effective if the item is modified or disassembled by not authorized people.

This warranty doesn't envisage the product's replacement.

External components, batteries, knobs, switches and any removable or subject to wear and tear parts are excluded from warranty.

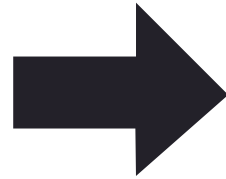
Shipment for the return of faulty items is at expense and risk of the owner.

For all intents and purposes the warranty is effective only upon exhibition of the invoice or of the purchase receipt.

HOW TO SEND THE PRODUCT REGISTRATION FORM

1) If you didn't register the product on our website www.karmaitaliana, it we invite you to cut the form on the page beside and to send it to our offices.

2) Please remember to fill both forms as a copy will remain in the manual and could be useful in the future.



KARMA®

**CERTIFICATO DI GARANZIA
GUARANTEE CERTIFICATE
MODULO DI REGISTRAZIONE
REGISTRATION MODULE**

COPIA DA INVIARE A:

Spett.le
KARMA ITALIANA Srl
Via Gozzano, 38 bis
21052 - Busto Arsizio (VA)



KARMA®

**CERTIFICATO DI GARANZIA
GUARANTEE CERTIFICATE
MODULO DI REGISTRAZIONE
REGISTRATION MODULE**

COPIA DA CONSERVARE

DJ LED234

| | |
|------------------------|--|
| Light source: | 24 x 3W leds RGBA |
| IR remote controller: | Included |
| Led's life: | around 60.000 hours |
| Consumption: | 72W |
| Color: | Black |
| Operation modes: | Sound / auto / DMX / master-slave / Remote |
| n. canali DMX: | 4 channels |
| Bracket: | Adjustable |
| Operation temperature: | 60° max |
| Min distance: | 0,5 mt |
| Power supply: | 100-240V - 50/60 Hz |
| Fuse: | 1A |
| Dimensions: | 350 x 350 x 350 mm |
| Weight: | 3,9 Kg |

KARMA®

Via Gozzano 38 bis
21052, Busto Arsizio (VA) - Italy
Telefono +39 0331.628.244
Fax +39 0331.622.470

www.karmaitaliana.it

made in China

