

Network Rack 10" Series

for home and small office installation



The suitable solution for small networks

Techly professional 10" Cabinets are the result of an innovative project that meet the needs for cabling of small data networks.

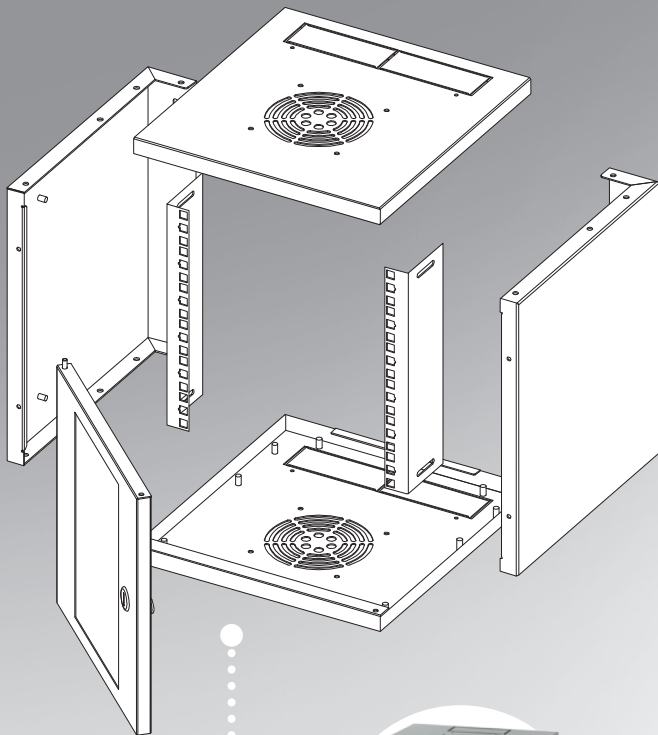
-  **Practically and cost-effectiveness:** Linear design guaranteeing excellent quality/price ratio. Provided with one frontal pair of rails easily adjustable, to meet the needs of installers.
-  **Quick assembly:** preassembled, easy to install, ready to use.
-  **Safety:** equipped with key lock on the door.
-  **Robustness:** solid welded cold rolled steel ensures a static loading up to 30 kg.
-  **Versatility:** a pair of front 10" rails with 1.5 mm thickness, adjustable in depth; reversible tempered glass door with lock and with opening angle greater than 230°. Cable entry facilities with pre-cut profiles. One ventilation kit with 120 mm fan may be installed on the top cover of the cabinet.
-  **Accessories:** a wide range of accessories to meet the needs of designers and installers.



 **TECHLY**[®]
PROFESSIONAL

WWW.TECHLY.COM





Features:

Single section wall mounted cabinet 10" for small data networks

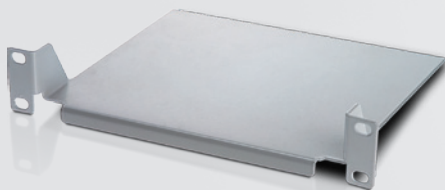
- Solid SPCC cold-rolled steel
- Door with 5 mm tempered glass, easily removable and reversible, opening angle more than 230°, with key lock
- Fixed blind side panels
- Cable entry facilities both from the top and the bottom with pre-cut profiles (110 x 40 mm)
- One ventilation fan with 120 mm dimension may be installed on the top cover of the cabinet
- One pair of 10" rails with 1.5 mm thickness, adjustable in depth
- Static load: 30 kg
- Protection category: IP20
- Provided with mounting kit with screws and nuts
- Color: RAL7035 (grey) or RAL9004 (black)



Products:

codice	U	W mm	D mm	H mm	door	color
I-CASE EM-1006GTY	6	300	300	322	glass	grey
I-CASE EM-1006BKTY	6	300	300	322	glass	black
I-CASE EM-1006BKVTY	6	300	300	322	metal-vented	black
I-CASE EM-1006BKCTY	6	300	300	322	metal-blind	black
I-CASE EM-1009GTY	9	300	300	455	glass	grey
I-CASE EM-1009BKTY	9	300	300	455	glass	black

Accessories:



Fixed shelf 200 mm deep
I-CASE M10-TRAY (GREY)
I-CASE M10-TRB (BLACK)



Power strip 10" 4 UNEL sockets
I-CASE M10-4



Patch panel 12 ports RJ45 UTP
I-PP 12-RU-10 (cat. 5E-UTP black)
I-PP 12-R6U-10 (cat. 6-UTP black)



Blank panel - 1U
I-CASE M10-BLANK (grey)
I-CASE M10-NE (black)



Cable inlet panel - 1U
I-CASE M10-CABLE2 (grey)
I-CASE M10-CDK2 (black)



Cable management panel - 2 rings
I-CASE M10-CABLE (grey)
I-CASE M10-CDK (black)



RJ45 panel 8ways - 1U
I-CASE M10-KSP (grey)
I-CASE M10-KSBL (black)

