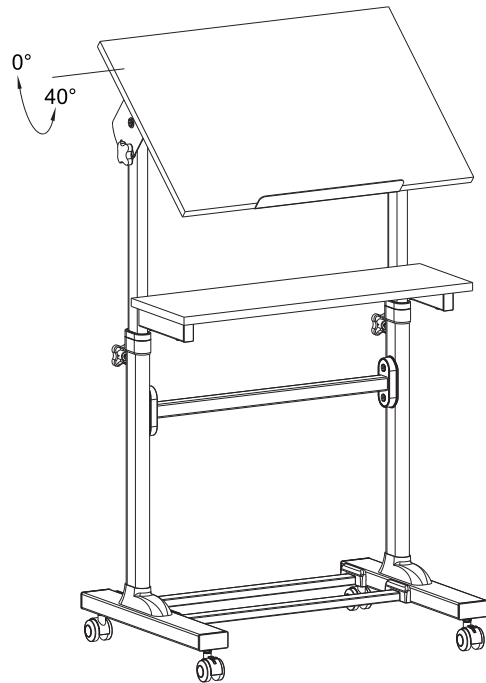
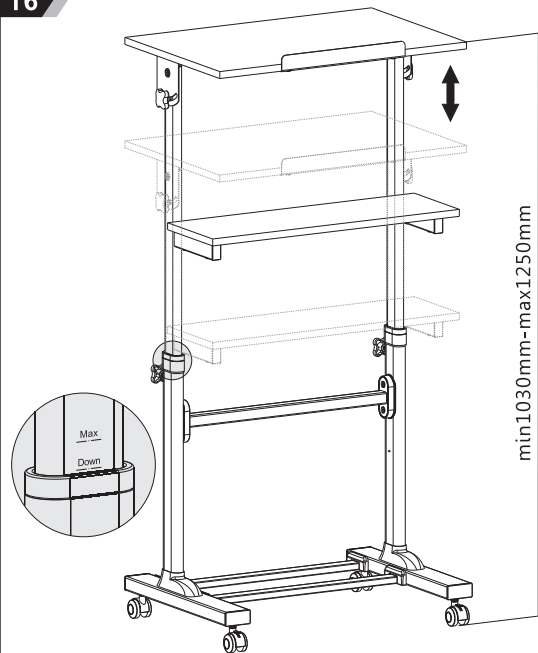


15



16



min1030mm-max1250mm

HOW TO ADJUST HEIGHT

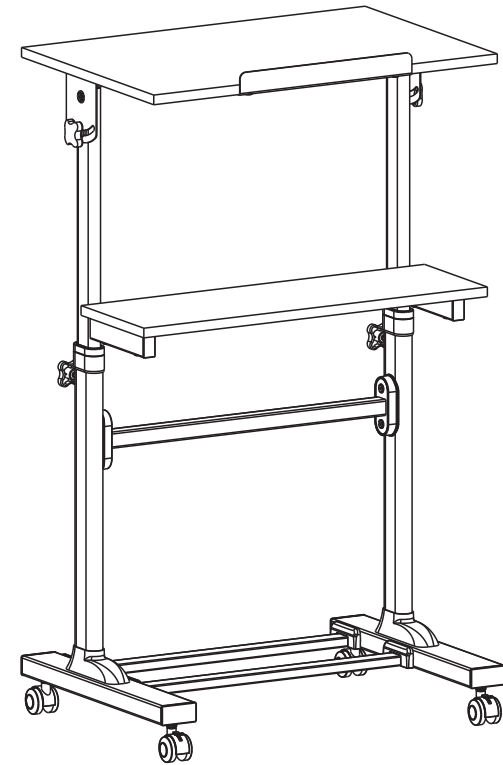
Worktable can be adjusted to the desired height by pulling up, until you hear sound "KA" from both legs of worktable. Then the worktable is fixed on this height.

HOW TO LOWER HEIGHT

Pull up worktable directly to the top, until you see mark "down" on the leg of worktable, then lower it slowly to the most bottom, until you hear sound "KA" from both legs of worktable. Then pull up to the right height.

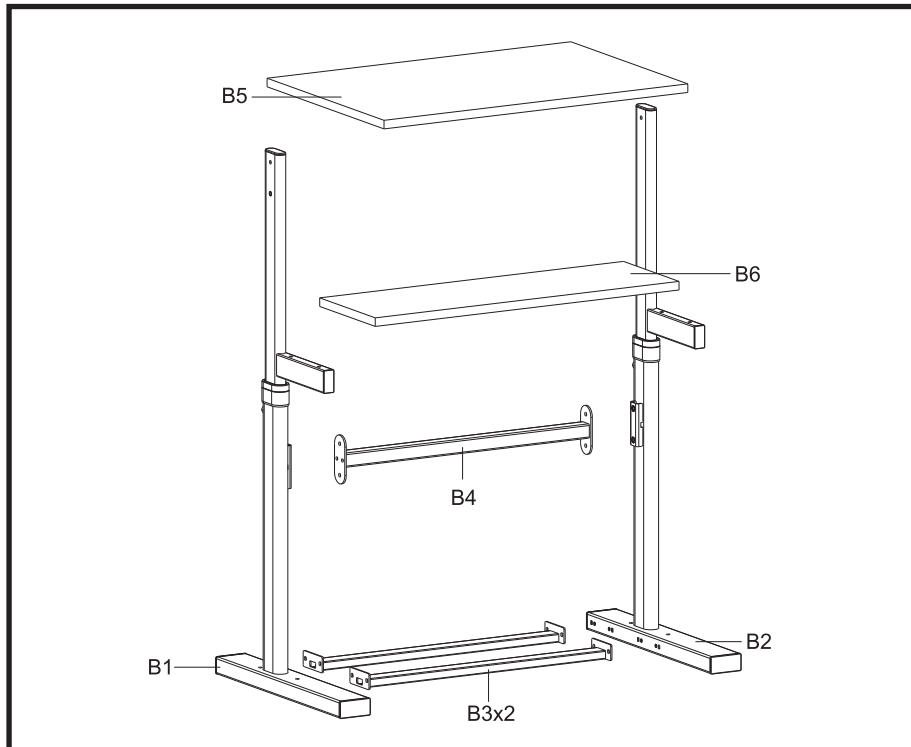
NOTE:

1. Loosen the knobs to adjust the worktable to the desired height, then tighten the knobs to secure.
2. Please do not put anything on the worktable when adjusting the worktable height.
3. Make sure both legs of worktable are at same height while finished height adjustment.
4. Make sure you hear sound "KA" while you adjust worktable to your desired height. This means the worktable is fixed at the height; If without this sound, it means the worktable is not fixed at this height.
5. "MAX" mark on the leg means the max height which worktable can be fixed.

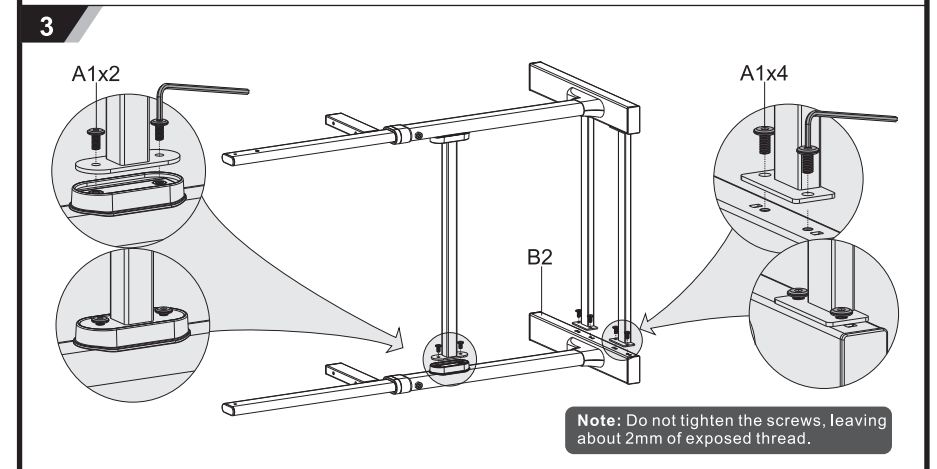
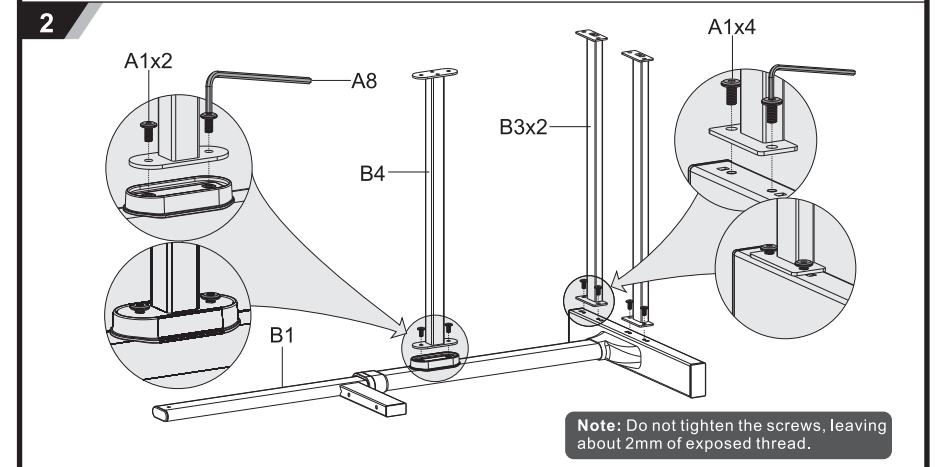
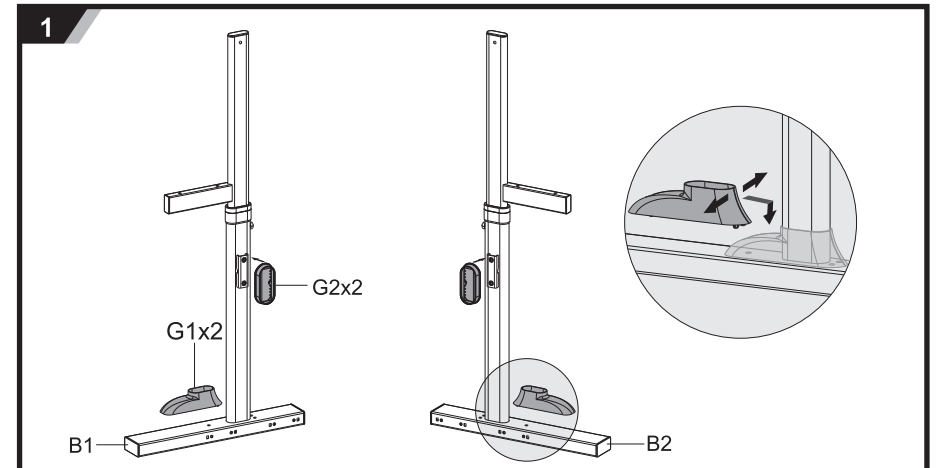


Mobile Stand Up Workstation

ASSEMBLY INSTRUCTIONS



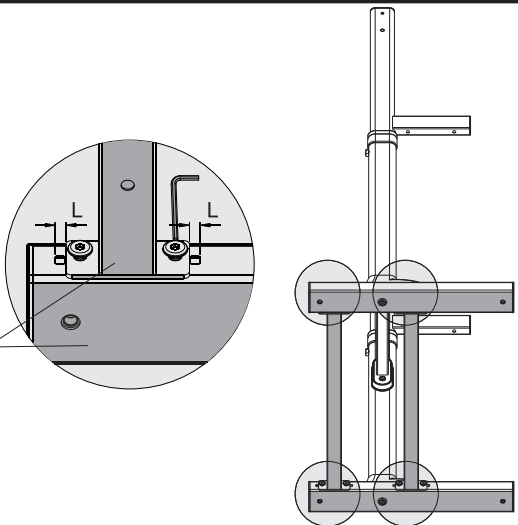
M6x12 A1x18	M6x30 A2x2	A3x4	A4x2	A5x2
A6x2	M6x50 A7x4	A8x1	A9x1	A10x1
G1x2	G2x2	G3x4	G4x2	G5x2
G6x2	G7x1	G8x1	G9x1	G10x2



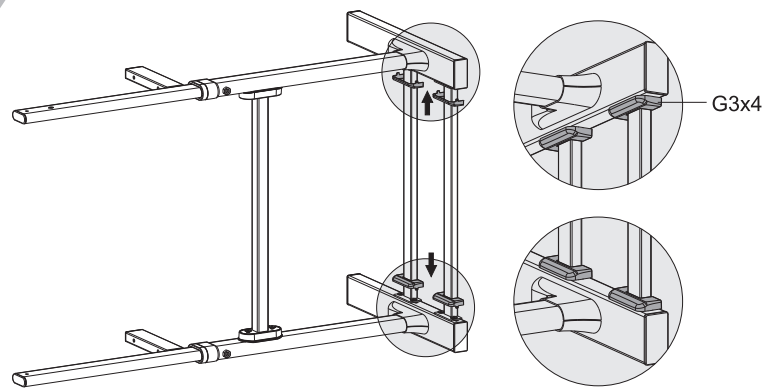
4

"L" dimensions should be equal.

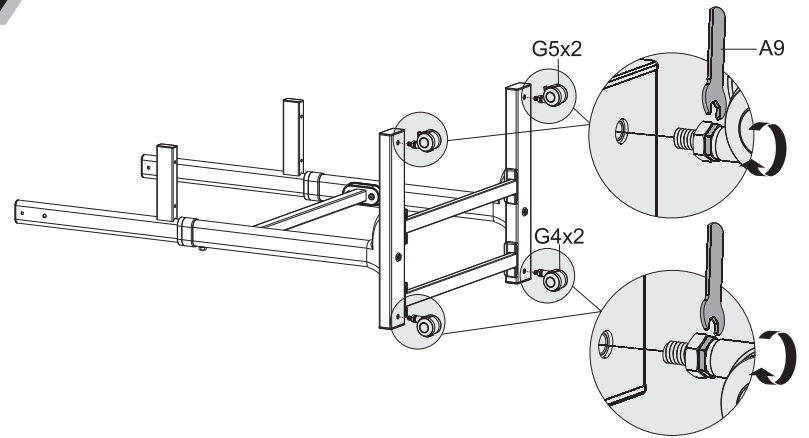
Keep the same plane.



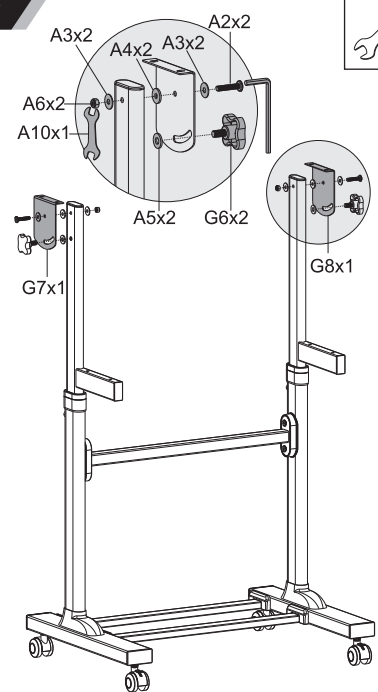
5



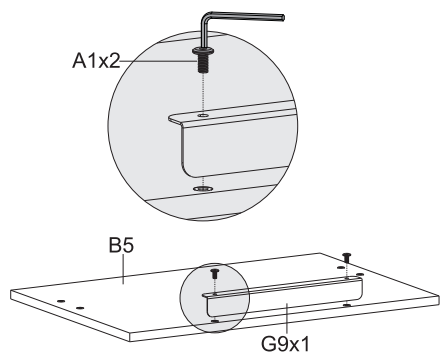
6



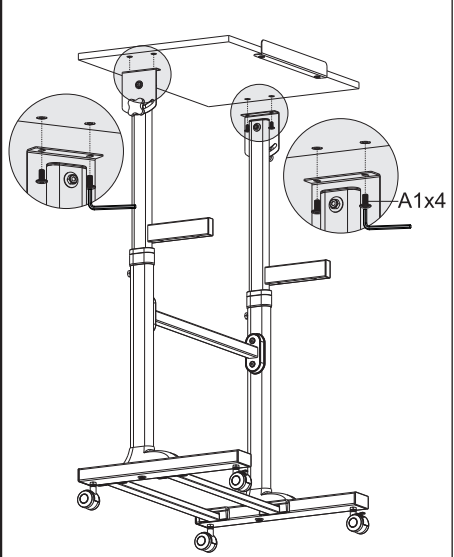
7



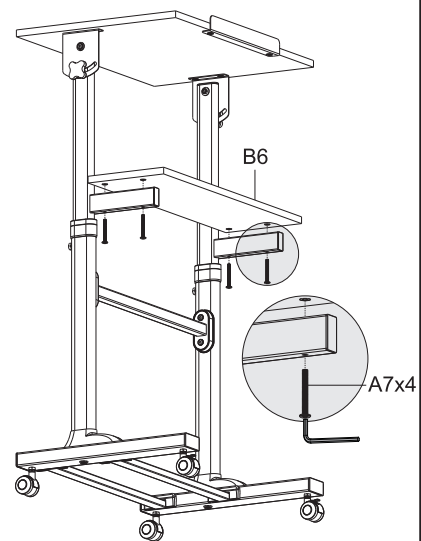
8



9

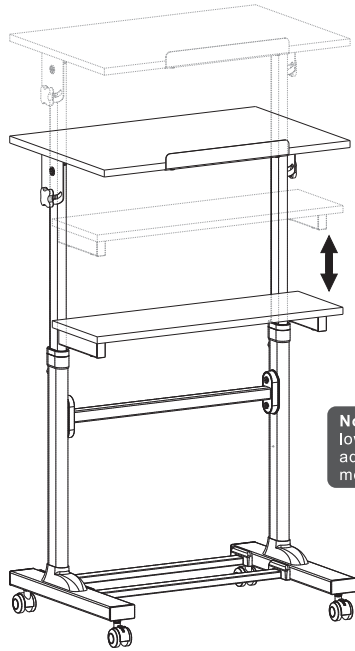


10



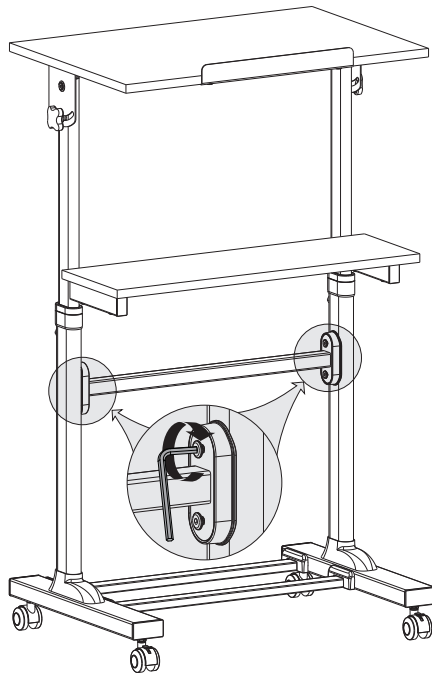
Note: Verify that all holes are properly aligned, then tighten all screws.

11

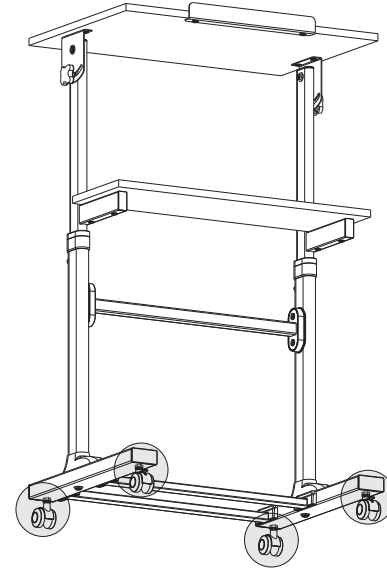


Note: Pull up the worktable to max height and lower it slowly to the most bottom. The worktable adjustment should be repeated several times more.

12



13



Turn the bottom nut COUNTER-CLOCKWISE to loosen.

Turn the top nut CLOCKWISE to tighten.

Note: Make sure all casters are at the same height. If the casters are not at the same height, one or two of casters can be adjusted as shown in figure 1, 2 and 3.

14

